



MODEL JB-250 | Specification Sheet
Commercial Series • In-Grade Junction Box

TYPE: MODEL:
PROJECT:

PRODUCT FEATURES

Housing	Injection-Molded Polymer
Hub Openings	One 1/2" NPT (lid-fixturing mounting). Two 1/2" NPT side (electrical entry). Two 1/2" NPT bottom (electrical entry).
Mounting	In-grade. Optional concrete mounting kit available.



ORDERING INFORMATION

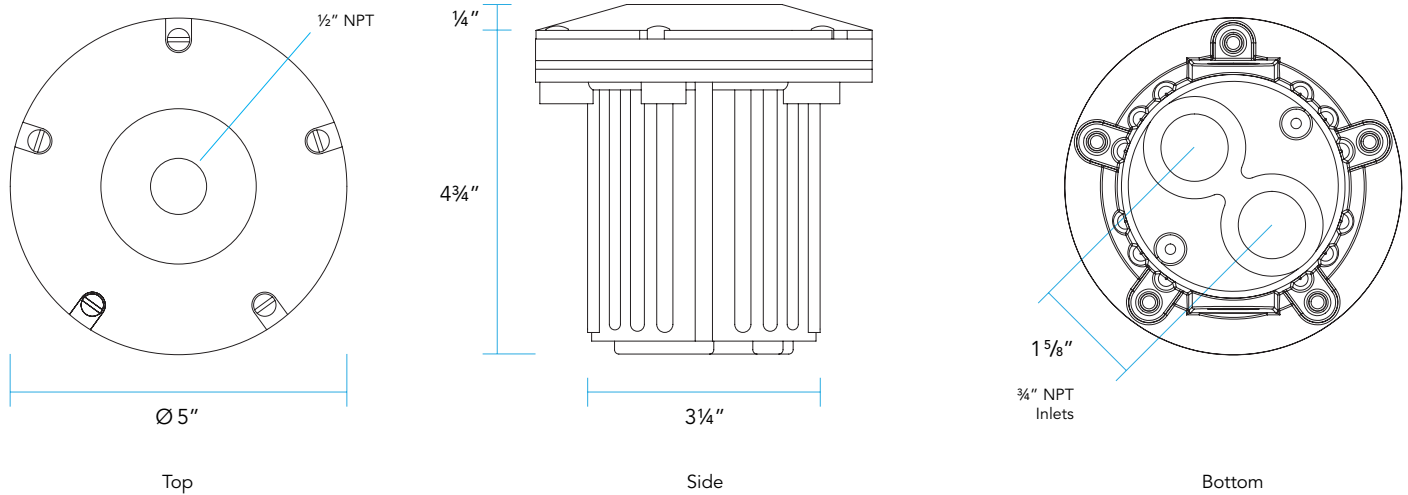
MODEL
JB-250

FINISH

EXAMPLE: **JB-250-B**

MODEL	FINISH			
JB-250	B Black	BR Architectural Brick	HG Hunter Green	G Verde
	Z Architectural Bronze	LZ Light Bronze	WB Weathered Bronze	P Pewter
	DZ Dark Bronze	SB Special Bronze	WI Weathered Iron	M Mocha
	GT Granite	GG Glossy Gray	GM Graphite Metallic	OF Olde Finish
	W White	R Rust		

DIMENSIONS



**PROFESSIONAL
OUTDOOR LIGHTING**

www.VistaPro.com • email@vistapro.com • Fax: (888) 670-VISTA (8478)
1625 Surveyor Avenue • Simi Valley, CA 93063 • (805) 527-0987 • (800) 766-VISTA (8478)

Vista Professional Outdoor Lighting reserves the right to modify the design and/or construction of the fixture shown without further notification.