



## INSTALLATION INSTRUCTIONS

**IF USING AN LED LAMP - USE ONLY ON 9 - 15 VOLT CIRCUITS. CAUTION: DO NOT UNNECESSARILY OVER-VOLTAGE LED LAMPS. FOR OPTIMAL PERFORMANCE AND MAXIMUM EFFICIENCY ALWAYS OPERATE LED LAMPS AS CLOSE TO 12 VOLTS AS POSSIBLE. NEVER EXCEED MAXIMUM OPERATING VOLTAGE, FAILURE TO DO SO WILL VOID THE WARRANTY AND MAY RESULT IN SERIOUS DAMAGE TO LAMP AND LUMINAIRES. DIMMING FUNCTION MAY NOT BE COMPATIBLE WITH ALL DIMMERS, PLEASE CONSULT FACTORY TECHNICAL DEPARTMENT FOR UP-TO-DATE COMPATIBLE DIMMER INFORMATION.**

**FOR USE ONLY WITH LOW VOLTAGE LANDSCAPE POWER UNITS THAT DO NOT EXCEED 25 AMPS, 15 VOLT MAXIMUM.**

**WARNING:** Luminaires must be installed in accordance with the National Electrical Code (NEC) and local codes. Failure to do so will void the warranty and may result in serious injury and/or damage to the luminaire.

**SAFETY WARNING:** Luminaire can become very hot depending on lamp wattage used. Lens and metal around lamp can become hot enough to blister hands. Particular care should be taken not to locate luminaires where small children can reach them if high wattage lamps are used.

**LUMINAIRES ARE NOT TO BE INSTALLED WITHIN 10 FT. (3.05M) OF A POOL OR SPA. SECONDARY CABLE IS NOT TO BE BURIED MORE THAN 6". WHEN USING MULTIPLE LUMINAIRES, LOAD IS NOT TO EXCEED THE TOTAL WATTS OF TRANSFORMER RATING. DO NOT USE EXTENSION CORDS ON POWER UNITS.**

**NOTE:** Always use UL recognized wire connectors for connections.



### LUMINAIRE MOUNTING:

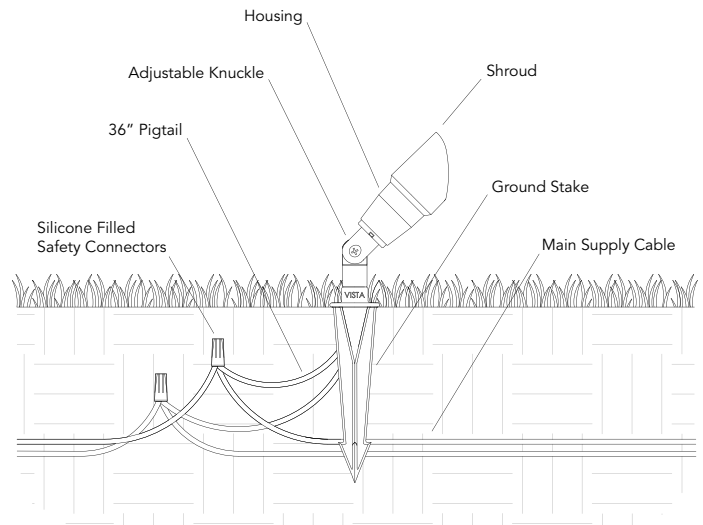
1. To prevent electrical shock, disconnect transformer from electrical supply before installation or service.
2. Run wire pigtail from luminaire through mounting hole in top of ground stake.
3. Thread luminaire into threaded hole in ground stake.
4. Place stake in desired position and insert into ground until flange of stake is flush to grade.
5. Strip two leads from luminaire pigtail wire. Using two silicone filled safety connectors, connect leads from luminaire to main supply cable leads.

**NOTE:** Luminaires are supplied with 36" of 18-2 cable pigtail for secure connection to main supply cable. The wire is to be protected by routing in close proximity to luminaire. The wiring should be buried a maximum depth of 6" in order to connect to main supply cable.

6. Aim luminaire to desired angle. Lock into place by tightening Phillips screw in adjustable knuckle.

**NOTE:** Avoid aiming fixture directly upward. Whenever possible, set at angle to prevent rain or irrigation water from settling on lens.

**NOTE:** All luminaires orientation must be so that every part of the lampholder and the lamp are greater than 2" from the ground plane.



### IMPORTANT SAFETY INSTRUCTIONS - THE LIGHTED LAMP IS HOT!

#### WARNING - TO REDUCE THE RISK OF FIRE, OR INJURY TO PERSONS:

1. Turn off/unplug and allow to cool before replacing lamp.
2. Lamps get hot! Contact only switch/plug when turning on.

3. Do not touch hot lens, guard or enclosure.

4. Keep lamp away from material that may burn.

6. Do not operate luminaire fitting with a missing or damaged cover.

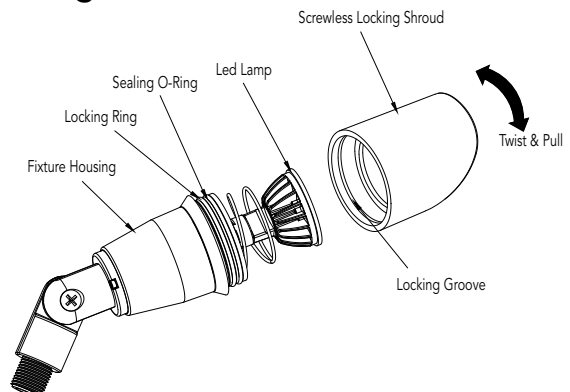
**SAVE THESE INSTRUCTIONS (Leave with property owner/manager)**

## Now Featuring Screwless Locking Shroud

### LAMP INSTALLATION/REPLACEMENT:

**CAUTION:** Do not exceed maximum wattage marked on luminaire label.

1. To prevent electrical shock, disconnect transformer from electrical supply before service.
2. Twist and pull to remove screwless locking shroud to expose LED lamp.
3. Replace lamp with correct wattage and type marked on fixture label.
4. Push-in and twist to re-install screwless locking shroud making sure locking ring snaps into shroud groove.



*Vista Professional Outdoor Lighting reserves the right to modify the design and/or construction of the fixture shown without further notification.*