



**MODEL 1505** | Louver | Specification Sheet  
Commercial Series • Step & Marker • LED

TYPE:  MODEL:   
PROJECT:

**PRODUCT FEATURES**



Wattage	17 W [WHITE]	10.5 W [AMBER]
Voltage	120 – 277 VAC	
Lumens	378 Delivered Lumens [WHITE]	117 Delivered Lumens [AMBER]
Distribution	Forward Throw with ± 15° of Adjustment	
CCT	2700K, 3000K, 3500K, 4000K [WHITE]	595nm [AMBER]
CRI	80 CRI min. [WHITE]	
Dimming	0-10V or Phase Cut (TRIAC/ELV-120VAC only) available	
Driver	Constant current Class 2 Output	
Dimensions	12¼" W x 3¼" H x 4⅝" D	

**ORDERING INFORMATION**

EXAMPLE: 1505-AL-B-27-MV-PCT-CP-ER-1505-1

MODEL	DOOR COVER	FINISH	COLOR TEMP	VOLTAGE	DIMMING	HOUSING	MOUNTING	ACCESSORIES
1505				MV		CP		

MODEL	DOOR COVER	FINISH						COLOR TEMP
1505	AL Aluminum Louver	Natural Metal Finish		Powder Coat Finish			27 2700°K	
	BL3 Brass Louver	SS Stainless Steel *	B Black	BR Architectural Brick	G Verde	30 3000°K		
	SL3 Stainless Steel Louver	BSN Natural Brass **	Z Architectural Bronze	LZ Light Bronze	P Pewter	35 3500°K		
		BSO Olde Brass **	DZ Dark Bronze	SB Special Bronze	M Mocha	40 4000°K		
			GT Granite	GG Glossy Gray	OF Olde Finish	AMB 595 nm		
			W White	R Rust				
				HG Hunter Green				
				WB Weathered Bronze				
				WI Weathered Iron				
				GM Graphite Metallic				

VOLTAGE	DIMMING	HOUSING	MOUNTING	ACCESSORIES	ORDERING NOTES
MV Multi Volt	ND Non Dimming 010 0-10V PCT Phase Cut (TRIAC/ELV-120VAC only)	CP Composite	FT Flush Tray ***	ER-1505-1 (1 Extension Ring) ER-1505-2 (2 Extension Rings) ER-1505-3 (3 Extension Rings) DF1 Diffuser Film	* Stainless Steel Doors only. ** Brass Doors only. *** Flush tray optional. No code required for standard mounting.



PROFESSIONAL  
OUTDOOR LIGHTING

www.VistaPro.com • email@vistapro.com • Fax: (888) 670-VISTA (8478)  
1625 Surveyor Avenue • Simi Valley, CA 93063 • (805) 527-0987 • (800) 766-VISTA (8478)  
Vista Professional Outdoor Lighting reserves the right to modify the design and/or construction of the fixture shown without further notification.



## SPECIFICATIONS

**HOUSING:**

Injection-molded fiber-reinforced polymer Rough-in box with threaded brass inserts. UV stable.

**DOOR COVER:**

Option of die-cast aluminum, stamped brass or stamped stainless steel.

**LENS:**

Clear, tempered, shock and heat-resistant soda-lime glass lens.

**FINISH:**

Powder coat finish for Aluminum Door Cover available in Black, Architectural Bronze, Dark Bronze, Granite, White, Architectural Brick, Light Bronze, Special Bronze, Glossy Gray, Rust, Hunter Green, Weathered Bronze, Weathered Iron, Graphite Metallic, Verde, Pewter, Mocha and Olde Finish.

**REFLECTOR:**

Extruded aluminum, satin etched. Adjustable  $\pm 15^\circ$  from preset  $0^\circ$  position.

**MOUNTING:**

Rough-in box designed for installation in concrete, brick/block, wood frame construction (non-IC) and insulated walls (IC).

**FASTENERS/INSERTS:**

All fasteners are stainless steel.

**CERTIFICATION:**

UL Listed to U.S. & Canadian (cUL) safety standards (UL 1598). Suitable for wet locations. IP66.

**LED:**

Integrated LED module.

- **White:** 378 Lumens delivered | 17 Watts
- **Amber:** 117 Lumens delivered | 10.5 Watts

**COLOR TEMPERATURE:**

- **White:** 2700K, 3000K, 3500K or 4000K CCT
- **Amber:** 595 nM

**COLOR RENDERING:**

80 CRI minimum [WHITE]

**BUG RATING:**

B0-U2-G1

**OPTICS/AIMING:**

No-glare optics. Hot-aiming adjustable performance optic assembly.  $30^\circ$  of adjustment for precise beam control.

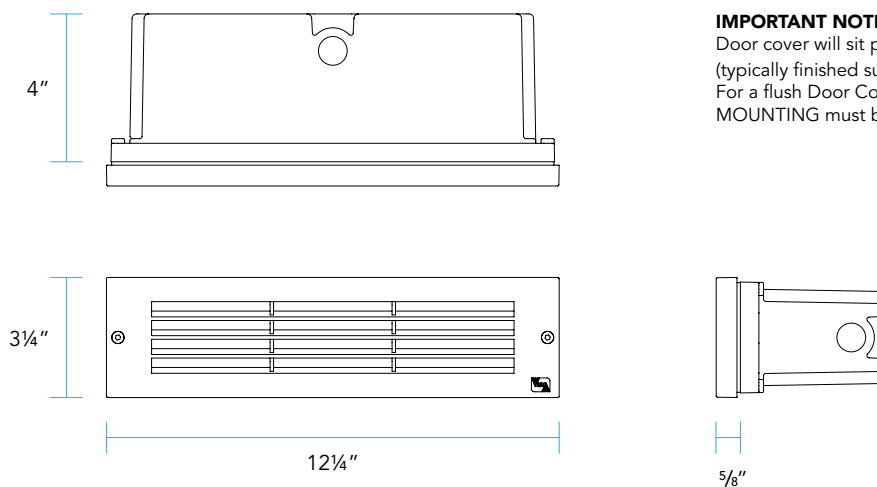
**DRIVER:**

Integral cUL listed Class 2 LED driver, either non-dimmable ND or dimmable. Dimming: 0-10V and Phase Cut (TRIAC/ELV-120VAC only) options available.

**ELECTRICAL:**

Universal voltage input (120- 277VAC) Suitable for through branch wiring. Four  $\frac{1}{2}$ " NPT conduit entry hubs with knockout membrane standard.

## DIMENSIONS



**IMPORTANT NOTE:**

Door cover will sit proud of front face of Rough-in box (typically finished surface) by  $\frac{5}{8}$ ". For a flush Door Cover appearance, the Flush Tray (FT) MOUNTING must be used.

