



## INSTALLATION INSTRUCTIONS

**WARNING:** WMB Wall Mount Box must be installed and grounded in accordance with the National Electrical Code (NEC) and local codes. Failure to do so will void the warranty and may result in serious injury and or damage to the luminaire Wall Mount Box.

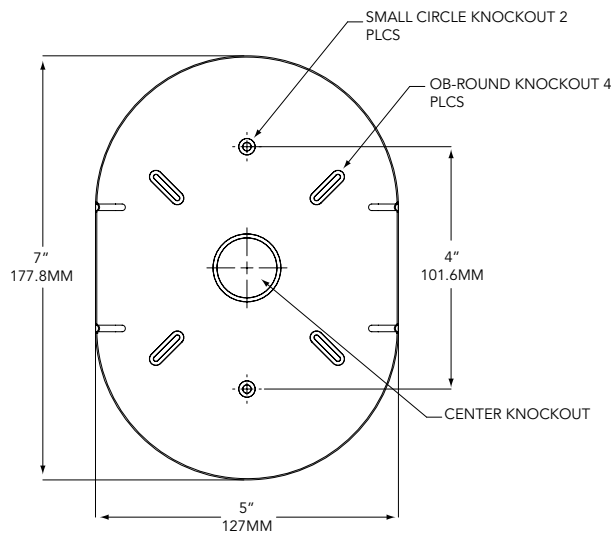
**NOTE:** Always use UL Listed wire connectors for connections (by others).

**NOTE:** Save these instructions for future reference.

**LUMINAIRE WALL MOUNT BOX IS UL RECOGNIZED FOR ABOVE GRADE INSTALLATION ONLY.**

### WMB Wall Mount Box mounting options:

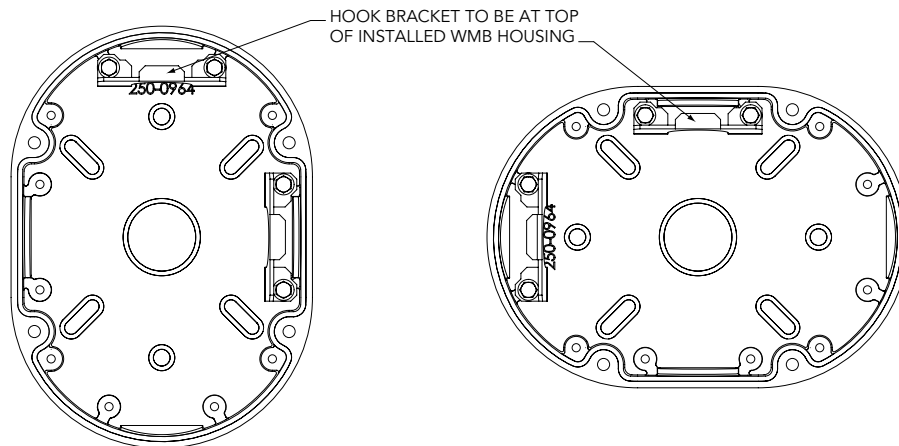
- A. Surface Mounting over recess 4" Square Steel Wall Box or 4" Octagon Steel Wall Box. Remove center knockout and four (4) ob-round knockouts.
- B. Surface mounting over conduit stub-out. Remove center knockout and two (2) small circle knockouts.
- C. Surface mounting with surface run conduit. Remove only two (2) small circle knockouts.
- D. Recessed concrete. Do not remove any knockouts.



KNOCKOUT DETAIL WMB HOUSING

### WMB Wall Mount Box orientation options:

- A. Vertically with the arcs of the box up/down.
- B. Horizontally with the arcs of the box side/side.



VERTICAL WMB ORIENTATION

HORIZONTAL WMB ORIENTATION

*Vista Professional Outdoor Lighting reserves the right to modify the design and/or construction of the fixture shown without further notification.*



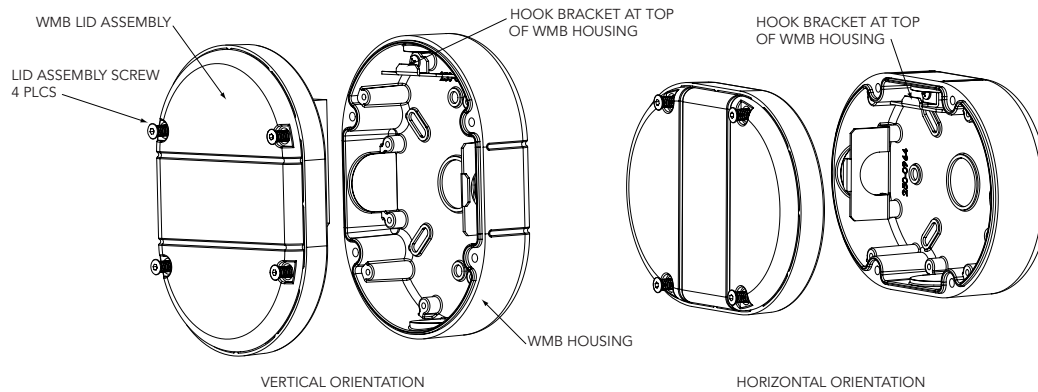
## INSTALLATION INSTRUCTIONS

### Surface Mounting:

1. Remove lid of WMB by loosening four (4) lid screws. Do not remove screws completely; the lid gasket will retain the screws. The lid is retained to the housing with hook and catch brackets; after loosening the screws, lift the lid straight up and outwards. Set the WMB lid aside.
2. Remove only the knockouts as indicated above.
3. Secure surface mount gasket to back of housing (gasket not shown) by removing liner tape from adhesive backed side. Be sure to align the gasket holes to the housing holes.
4. Secure the WMB housing to the wall surface.

**Note:** When mounting over a recessed 4" Square or 4" Octagon Steel Wall Box, the WMB housing may be attached directly to the recessed steel box (fasteners by others). When surface mounting over a conduit stub-out or when running surface conduit, the WMB must be affixed directly to the wall using appropriate wall anchors and fasteners (by others).

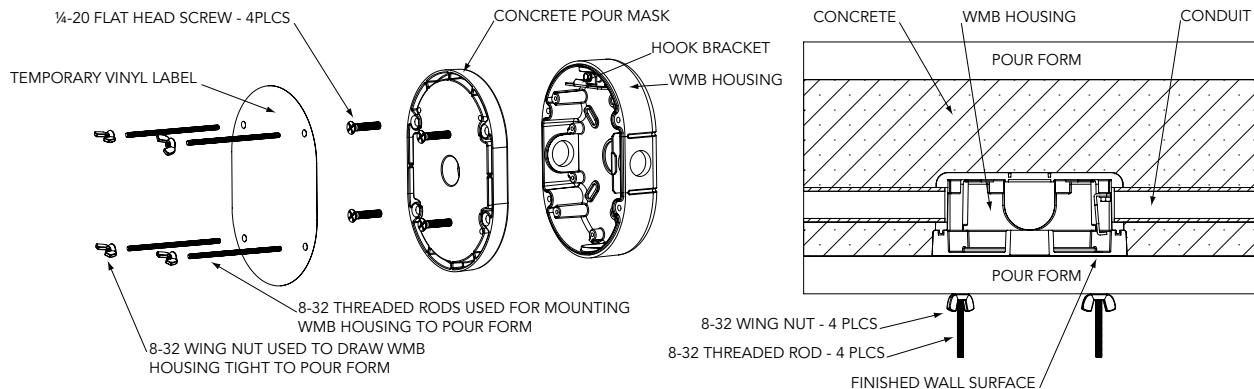
5. If running surface conduit, connect conduit to ½" NPT hubs on the WMB housing using appropriate thread sealing compound. Plug any unused ½" NPT openings with plugs and thread sealing compound.
6. Pull electrical supply wires (line in) through conduit and WMB housing. Pull wires and make a 4" - 6" loop, long enough for manual connections with the terminal block (4" to 6" beyond the front rim of WMB housing).
7. Stuff wire loop into the WMB housing and reinstall the WMB lid.
8. See supplemental instructions for **LUMINAIRE MOUNTING TO WMB**.



### Recessed in Concrete

**Important note:** Concrete pour mask and temporary vinyl label must remain in place during pouring and curing of concrete (fig. 3)

1. Remove lid of WMB by loosening four (4) lid screws. Do not remove screws completely; the lid gasket will retain the screws. The lid is retained to the housing with hook and catch brackets; after loosening the screws, lift the lid straight up and outwards. Set the WMB lid aside.
2. Do not remove any of the WMB knockouts.
3. Using the four (4) ¼-20 flat head screws provided, install the concrete pour mask.
4. Install the temporary vinyl label.
5. Install (4) threaded 8-32 rods (supplied) into WMB housing by piercing through vinyl label in specified location. Hand tighten until secure.
6. Attach WMB housing to pour form using (4) wing nuts provided so the front face of the WMB housing will be flush with the finished surface (fig. 4)
7. Connect conduit to WMB housing using appropriate thread sealing compound. Plug any unused ½" NPT openings with plugs and thread sealing compound.
8. Pour concrete. **NOTE: DO NOT PUMP OR DROP CONCRETE DIRECTLY ON TOP OF THE WMB HOUSING** (fig. 4).
9. Remove the wing nuts from threaded rods before removing pour form.
10. Remove and discard temporary vinyl label. Remove and recycle concrete pour mask (HDPE polymer).
11. Pull electrical supply wires (line in) through conduit and WMB housing. Pull wires and make a 4" - 6" loop, long enough for manual connections with the terminal block (4" to 6" beyond the front rim of WMB housing).
12. Stuff wire loop into the WMB housing and reinstall the WMB lid.
13. See supplemental instructions for **LUMINAIRE MOUNTING TO WMB**.



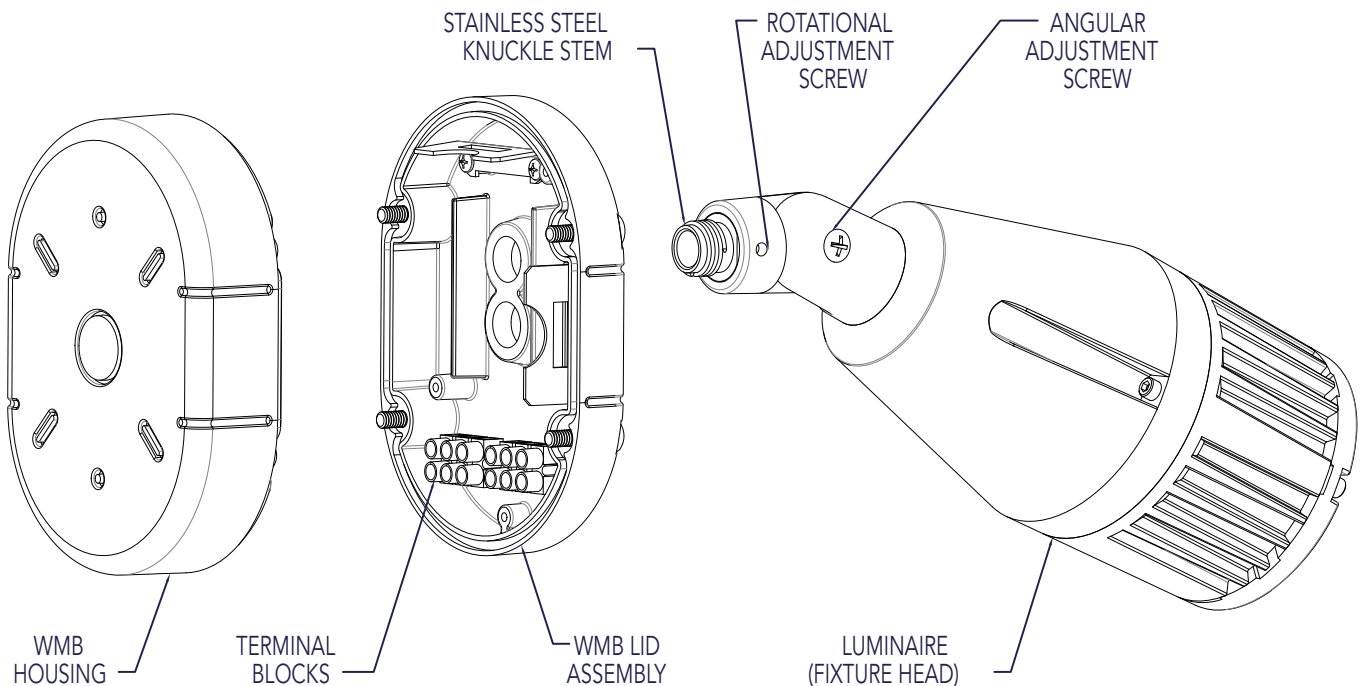
Vista Professional Outdoor Lighting reserves the right to modify the design and/or construction of the fixture shown without further notification.



## INSTALLATION INSTRUCTIONS

### LUMINAIRE MOUNTING TO WMB (Infinity Knuckle):

1. LUMINAIRE MOUNTING TO WMB (Infinity Knuckle): 1. Make sure electrical supply is off at circuit breaker before starting luminaire installation or servicing luminaire.
2. Remove lid of WMB by loosening four (4) lid screws. Do not remove screws completely; the lid gasket will retain the screws. The lid is retained to the housing with hook and catch brackets; after loosening the screws, lift the lid straight up and outwards.
3. Using Thread sealant, thread stainless steel knuckle stem onto the WMB lid.
4. Using a 15/16" open end wrench or large crescent wrench, firmly tighten the stainless steel knuckle stem into the WMB lid.
5. Route luminaire supply conductors through stainless steel knuckle stem. Fish the wires inside of the lid towards the two terminal blocks located on the inside surface of the lid.
6. Seat luminaire onto stainless steel knuckle stem. Using the 1/8" allen wrench provided, lock the luminaire onto the stainless steel stem by firmly tightening the lower knuckle set screw.
7. Attach luminaire supply conductors black, white, & green (load) to the fixture terminal block observing polarity, black to red, white to blue and green to green.
8. Attach conduit supply conductors (by others) to the (line-in) terminal block observing polarity, line to black, neutral to white, and ground to green.
9. Affix the luminaire/WMB lid assembly to the WMB housing by dropping the assembly onto the hook and catch brackets.
10. Stuff any protruding wires into the box ensuring that the wires won't get pinched by the WMB lid seal.
11. Using the 1/8" allen wrench provided, firmly tighten all four (4) lid screws.
12. Using thread sealant, plug any unused conduit entry holes.
13. To adjust luminaire aiming angle, loosen adjustable knuckle screw. Do not disengage completely. Hold luminaire at selected angle and tighten knuckle screw firmly until knuckle halves come completely together.
14. To adjust luminaire rotational direction, loosen the lower rotational adjustment set



Vista Professional Outdoor Lighting reserves the right to modify the design and/or construction of the fixture shown without further notification.