

INSTALLATION INSTRUCTIONS- J-BOLT ANCHOR ASSEMBLY

IMPORTANT NOTE:

- Luminaire must be installed and grounded in accordance with the National Electrical Code (NEC) and local codes.
- Luminaire is UL listed for above grade installation only.
- Always use UL recognized wire connectors for connections.

MAINTENANCE: To assure proper operation and efficiency, all access doors, seals and anchor bolts must be properly secured. All splice connections must be positioned such that flooding does not immerse connections. A regular scheduled maintenance program is recommended.

SAFETY WARNING: Luminaire can become hot. Take care when locating luminaire.

NOTE: Save these instructions for future reference.

J-BOLT INSTALLATION INSTRUCTIONS:

1. Install supplied J-bolt anchor (galvanized J-bolt 1/2-13 thread, 12 inches long) assembly over electrical supply conduit and into concrete. Position the electrical supply conduit such that it passes through the center of the bracket of the J-bolt anchor assembly.

NOTE: Electrical supply conduit ends should be no higher than 3" (76mm) above grade with supply wires loop at a recommended 12" (305mm) minimum length. (See attached illustration) Maximum conduit number and size: Two (2) 3/4" (25mm) conduits or three (3) 1/2" (20mm) conduits.

2. Orient the J-bolt anchor assembly to ensure that the access door of the 1470/1471 Bollard is in the desired location when the bollard is installed. (See attached illustration)

NOTE: For proper bollard installation, the top of the J-bolt anchor assembly bracket **must be flush** and level with final grade.

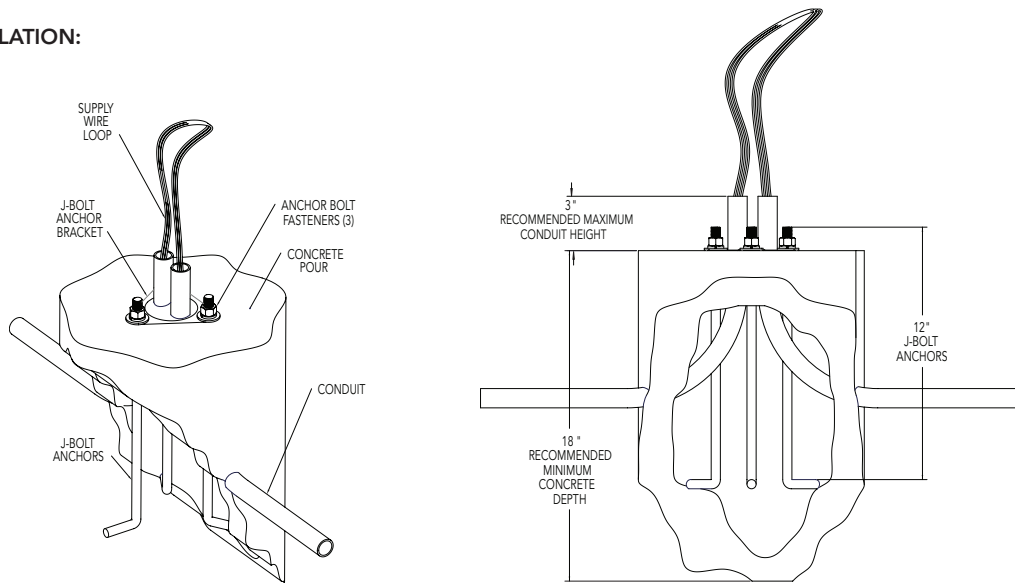
3. Pour the concrete pad to the top surface of the J-bolt anchor assembly bracket. For best results, ensure that the top surface of concrete is smooth and level.

NOTE: For proper bollard installation, the anchor bolt top fasteners **must be above grade and removable**. These will be used later to secure the 1470/1471 Bollard to the J-bolt assembly. The concrete pour around the J-bolt assembly should be a minimum of 12" across the top in any direction and a minimum of 18" deep.

4. Allow concrete pad to cure securing J-bolt anchor assembly into the pad before installing 1470/1471 Bollard fixture.

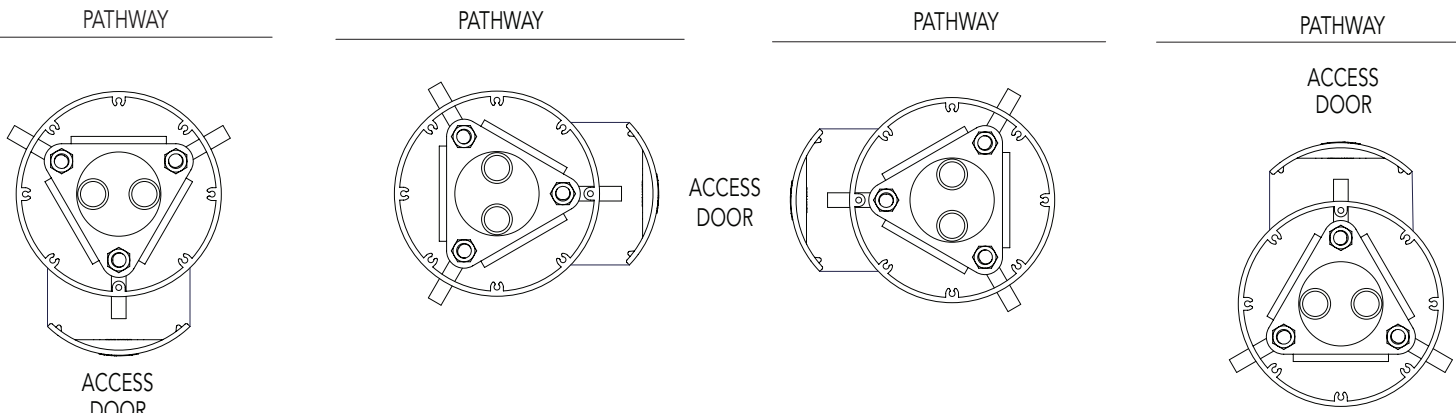
NOTE: Protect J-bolt and conduit ends from damage prior to installation of 1470/1471 Bollard fixture. See 1470/1471 Bollard Mounting Installation Instructions for complete assembly.

J-BOLT ANCHOR INSTALLATION:



J-BOLT ORIENTATION FOR BOLLARD:

All illustrations are viewed from the top, with the orientation of the J-bolt anchor assembly projecting upward. **Front of the bollard is defined as the side opposite of the access door.**



Vista Professional Outdoor Lighting reserves the right to modify the design and/or construction of the fixture shown without further notification.