



WARNING: STM-D Stanchion Mount Single must be installed and grounded in accordance with the National Electrical Code (NEC) and local codes. Failure to do so will void the warranty and may result in serious injury and or damage to the luminaire Stanchion Mount.

NOTE: Always use UL Listed wire connectors for connections (by others).

NOTE: Save these instructions for future reference.

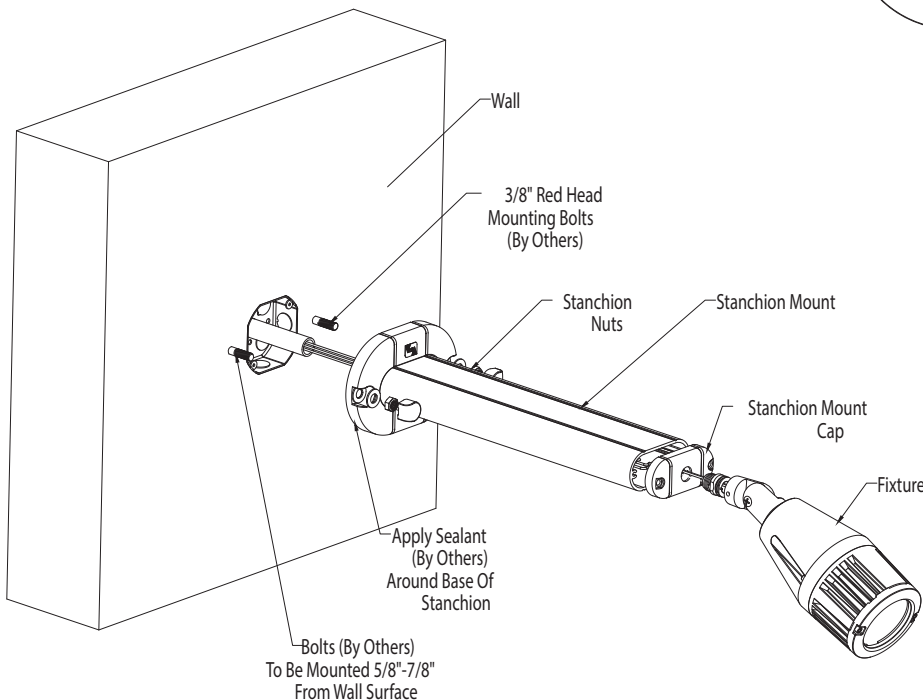
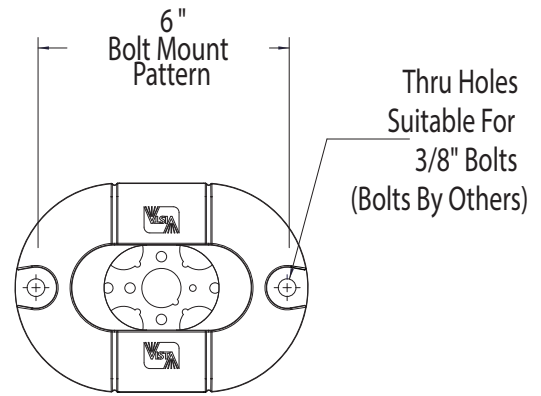
LUMINAIRE FITTING – STANCHION MOUNT IS SUITABLE FOR WET LOCATIONS

STANCHION MOUNTING TO STRUCTURAL SURFACE OVER RECESSED 4-0 BOX (by others) OR CONDUIT STUB OUT

1. Make sure electrical supply is off at circuit breaker before starting stanchion mount installation.
2. Install 3/8" red head style bolts (by others) on 6" centers over 4-0 box or conduit stub out.

BOLTS TO PROTRUDE 5/8" – 7/8" FROM WALL SURFACE

3. Pull electrical supply wiring through stanchion to top opening of stanchion.
4. Apply appropriate sealant along the base of the stanchion mount, secure stanchion onto wall over red head style bolts.
5. Tighten fully stanchion washers and nuts onto base.
6. Apply sealant (by others) onto stanchion nut covers. Install nut covers into stanchion base.
7. Thread fixture stem through stanchion mount cap.
8. Make electrical connections from supply service to fixture. Secure cap onto stanchion using two 1/4"-20 screws.
9. Aim fixture and secure. Energize fixture to test for proper operation.



Vista Professional Outdoor Lighting reserves the right to modify the design and/or construction of the fixture shown without further notification.

