



**MODEL 1182SE-SS** | Specification Sheet  
Commercial Series • In-Grade • LED

TYPE:  MODEL:   
PROJECT:

**PRODUCT FEATURES**



Wattage	6 – 14 W
Voltage	120 or 277 VAC
Lumens	287 – 1300 Delivered Lumens
Distribution	NEMA type [HxV]: 1x1 (VNS), 1x1 (NS), 4x4 (MF), 5x5 (WF)
CCT	2700K, 3000K, 3500K, 4000K, 5000K
CRI	80 CRI min.
Dimming	0-10V or Phase Cut (TRIAC/ELV-120VAC only) available
Driver	Dual Volt 120 or 277VAC with tri-modal dimming capabilities
Dimensions	5 7/16" DIA x 12" D



**ORDERING INFORMATION**

EXAMPLE: 1182SE-SS-SS-MF-27-B-DV-CX-PCT-B12-TO10

MODEL	DOOR	FINISH	DIST	TEMP	LUMENS	VOLTAGE	LENS	DIMMING	ENTRIES	ACC
1182SE	SS	SS				DV	CX		B34	

MODEL	DOOR COVER	FINISH	DISTRIBUTION	COLOR TEMP	DELIVERED LUMENS			
					VNS	NS	MF	WF
1182SE	SS Stainless Steel	SS Stainless Steel	VNS Very Narrow Spot	27 2700K				
			NS Narrow Spot	30 3000K				
			MF Medium Flood	35 3500K				
			WF Wide Flood	40 4000K				
				50 5000K				
<b>ORDERING NOTES</b>								
Powder Coated Aluminum Door Cover option available. See 1182SE-AL specification.								

VOLTAGE	LENS	DIMMING	CONDUIT ENTRIES	ACCESSORIES
DV Dual Volt (120 or 277VAC)	CX Crowned Clear	ND Non Dimming (B,C,D,E Delivered Lumens) 010 0-10V (E Delivered Lumens only) PCT Phase Cut (TRIAC/ELV-120VAC only) (E Delivered Lumens only)	B34 Bottom 3/4"	T05 Tilt Optic 5° T010 Tilt Optic 10° T015 Tilt Optic 15° DF Diffuse Filter LSF Linear Spread Filter STR Stainless Steel Trim Ring



PROFESSIONAL  
OUTDOOR LIGHTING

www.VistaPro.com • email@vistapro.com • Fax: (888) 670-VISTA (8478)  
1625 Surveyor Avenue • Simi Valley, CA 93063 • (805) 527-0987 • (800) 766-VISTA (8478)

Vista Professional Outdoor Lighting reserves the right to modify the design and/or construction of the fixture shown without further notification.



## SPECIFICATIONS

### DESCRIPTION:

1182SE Semi Recessed fixtures are designed for use in planters and under bushes where slightly elevated in-grade fixture applications are required. The 1182SE includes an exterior housing tube, where a Vista 1182 in-grade fixture is mounted within.

### DOOR:

Machined and passivated 304 Stainless Steel.  
Stainless steel fasteners.

### FIXTURE HOUSING:

Injection-molded, glass-reinforced polymer. Unibody construction allows for superior door and optic housing support. Splicing compartment available in NPT 3/4"-14 hub openings (bottom only). Suitable for through branch circuiting.

### OPTIC/DRIVER HOUSING:

TYPE III hard anodized/powder coat Die-cast A360 aluminum. Optic and driver compartment separately sealed while being electrically connected. Driver compartment houses electronic LED driver. Driver compartment is completely epoxy potted to protect electronics from moisture.

### HOUSING TUBE:

Ø5 7/16" ABS heavy walled black drain tube. 12" long.

### LED:

Performance COB LED available in various color temperatures.  
6 – 14 Watts.  
287-1300 Delivered Lumens

### COLOR TEMPERATURE:

2700K, 3000K, 3500K, 4000K or 5000K CCT White.

### COLOR RENDERING:

80 CRI minimum

### OPTICS/AIMING:

TIR/Reflectorized optics designed for maximum performance and uniformity. Fixture aiming achieved via a series of tilt optic lenses and patented magnetic aiming system. Additional tilt optic lenses available. Very Narrow Spot optic incorporates an additional internal source shield to eliminate unwanted glare outside the beam pattern.

### LENS:

3/16" thick tempered pressed clear glass. Optional anti-slip clear lens.

### ACCESSORIES:

Tilt Optic 5° **TO5**, Tilt Optic 10° **TO10**, Tilt Optic 15° **TO15**, Linear Spread Filter **LSF** and Stainless Trim Ring **STR** available.

### WIRING:

Prewired with 150° C-rated wire.

### MOUNTING:

Fixture suitable for direct burial in earth or poured concrete. Also suitable for IC (walls only) and Non-IC installation. For both indoor and outdoor applications.

### CERTIFICATION:

cULus wet location listed.  
Ingress Protection Rating: IP68

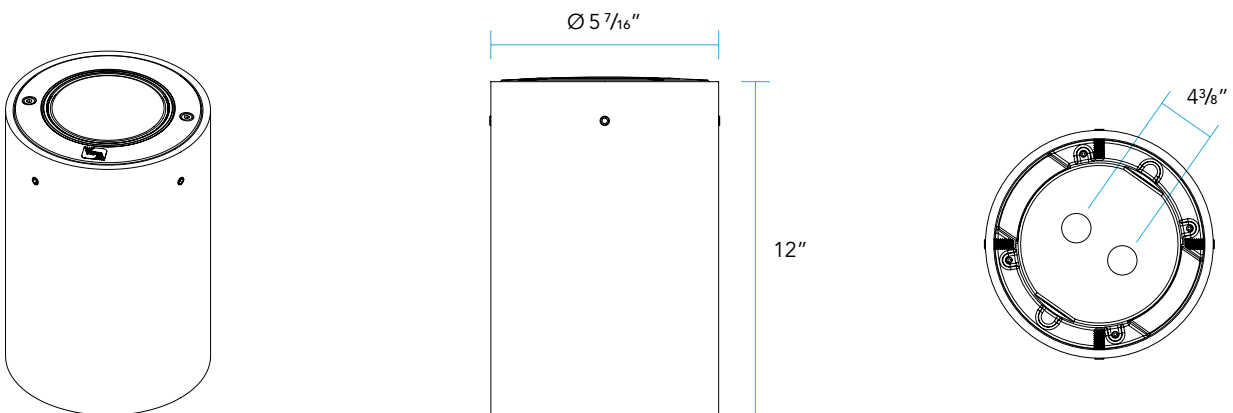
### DRIVER:

Dual-Volt **DV** 120V or 277V input equipped with tri-modal dimming capabilities. Start up/Operating Temperature: -10°C to +50°C. Non-dimmable, 0-10V and Phase Cut (TRIAC/ELV-120VAC only) options available.

### LIGHT DISTRIBUTION:

Very Narrow Spot **VNS** NEMA 1x1  
Narrow Spot **NS** NEMA 1x1  
Medium Flood **MF** NEMA 4x4  
Wide Flood **WF** NEMA 5x5

## DIMENSIONS





**DELIVERED LUMENS**

BEAM SPREAD	B	C	D	E
Very Narrow Spot VNS	6.4 Watts 287 Lumens	10 Watts 511 Lumens	11.7 Watts 588 Lumens	14 Watts 646 Lumens
Narrow Spot NS	6.3 Watts 455 Lumens	9.9 Watts 777 Lumens	11.7 Watts 912 Lumens	13.8 Watts 1093 Lumens
Medium Flood MF	6.3 Watts 564 Lumens	9.8 Watts 908 Lumens	11.6 Watts 1043 Lumens	14 Watts 1241 Lumens
Wide Flood WF	6.3 Watts 570 Lumens	9.8 Watts 904 Lumens	11.5 Watts 1084 Lumens	14 Watts 1300 Lumens

