



MODEL RIS - 1142 | Specification Sheet
Commercial Series • Rough-In Section

TYPE: MODEL:
PROJECT:

PRODUCT FEATURES



Material Injection-molded Polymer

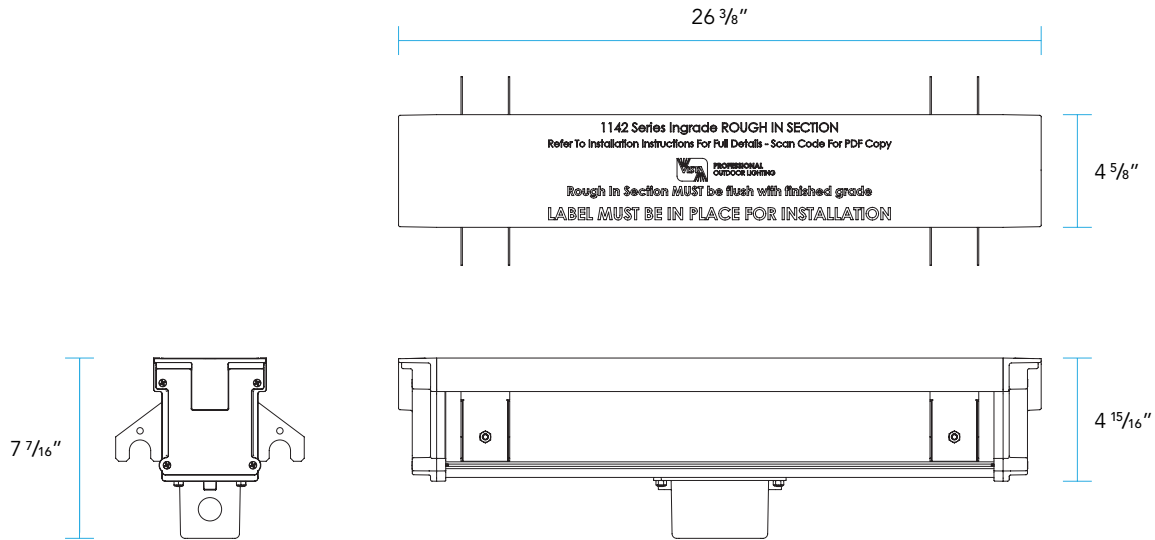
Associated Fixture 1142



DESCRIPTION

The 1142 Series Rough-In Section (RIS) is a extruded/injection molded polymeric body with molded polymeric junction box equipped as a pour part assembly. The RIS may be pre-shipped to allow the installation of the pour part assembly without the need to have finished internal parts on-site. The RIS allows for electrical conduit connection. Drive over rated when properly installed in concrete with rebar re-enforcement. Rebar attachment kit constructed from stainless steel bracketry permanently affixed to RIS. The junction box suitable for through branch circuiting.

DIMENSIONS



PROFESSIONAL
OUTDOOR LIGHTING

www.VistaPro.com • email@vistapro.com • Fax: (888) 670-VISTA (8478)
1625 Surveyor Avenue • Simi Valley, CA 93063 • (805) 527-0987 • (800) 766-VISTA (8478)

Vista Professional Outdoor Lighting reserves the right to modify the design and/or construction of the fixture shown without further notification.