

**IES FLOOD REPORT  
PHOTOMETRIC FILENAME : L01111209.IES**

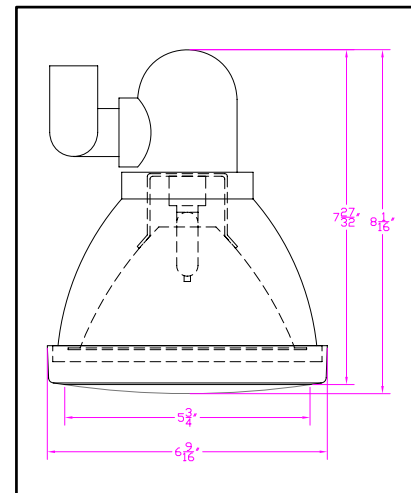
**DESCRIPTIVE INFORMATION (From Photometric File)**

IESNA:LM-63-2002  
[TEST] L0111-1209  
[TESTLAB] LIGHT LABORATORY, INC.  
[ISSUE DATE] 1/26/2011  
[MANUFAC] VISTA PROFESSIONAL OUTDOOR LIGHTING  
[LUMCAT] 1096-B-CX-MH20-TSP  
[LUMINAIRE] 6-9/16"DIA. X 8-1/16"H. UP AND ACCENT LIGHT  
[MORE] 20W MH LAMP WITH TIGHT SPOT REFLECTOR  
[MORE] CLEAR TEMPERED GLASS LENS  
[BALLASTCAT] ADVANCE E-VISION IMH-G20-G-LF  
[BALLAST] 120-277V 50/60Hz ELECTRONIC  
[LAMPPOSITION] 0,0  
[LAMPCAT] SYLVANIA MC20/TF/U/G6.5/830  
[LAMPLUM] 1700  
[INPUT] 120VAC, 23.29W

Note: Candela values converted from Type-C to Type-B

**CHARACTERISTICS**

NEMA Type	1 H x 1 V
Maximum Candela	27610
Maximum Candela Angle	0H 0V
Horizontal Beam Angle (50%)	8.2
Vertical Beam Angle (50%)	8.2
Horizontal Field Angle (10%)	15.7
Vertical Field Angle (10%)	15.7
Lumens Per Lamp	1700 (1 lamp)
Total Lamp Lumens	1700
Beam Lumens	301
Beam Efficiency	18 %
Field Lumens	579
Field Efficiency	34 %
Spill Lumens	436
Luminaire Lumens	1015
Total Efficiency	60 %
Total Luminaire Watts	23.29
Ballast Factor	1.00

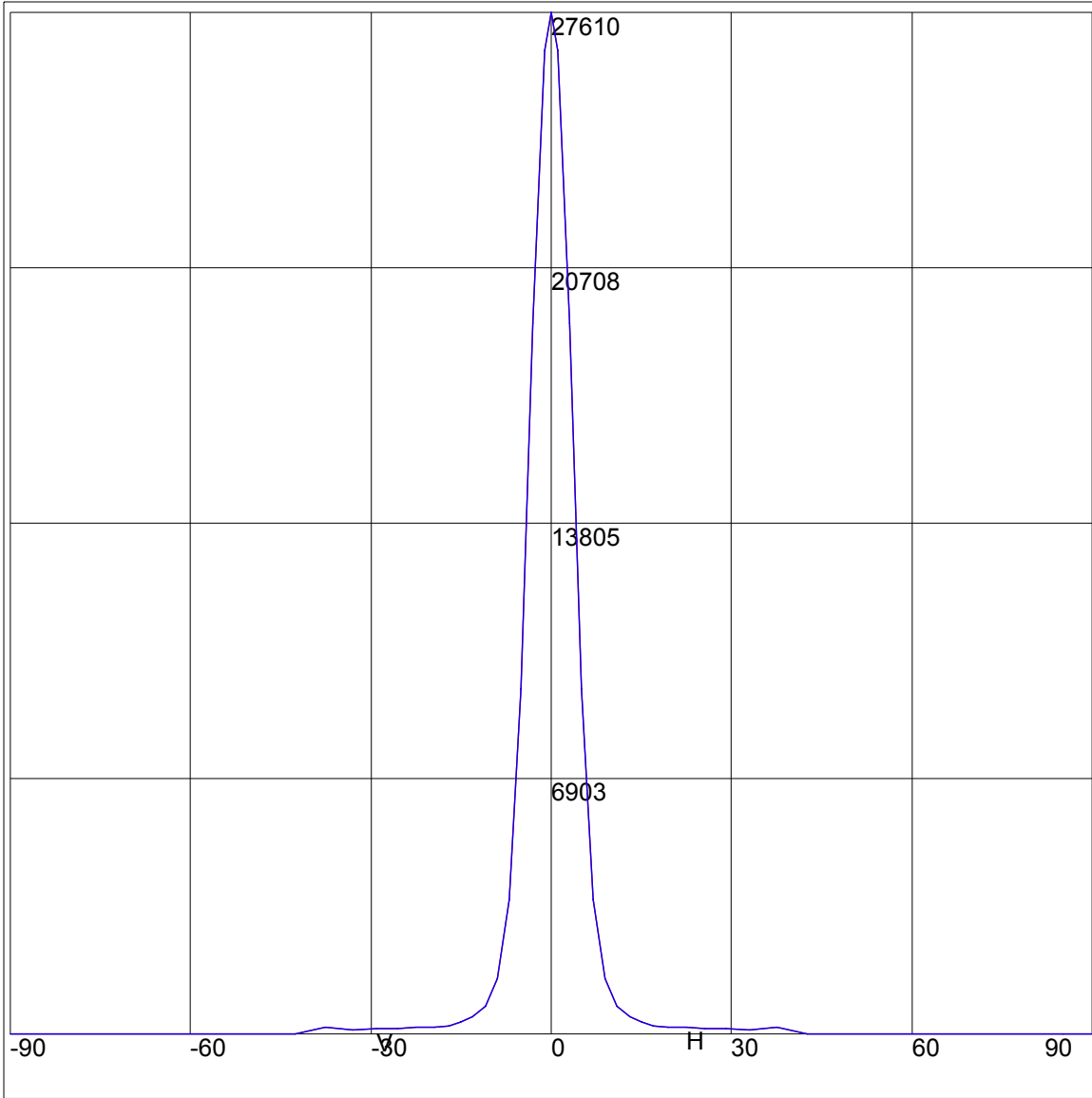


**IES FLOOD REPORT**  
**PHOTOMETRIC FILENAME : L01111209.IES**

**AXIAL CANDELA**

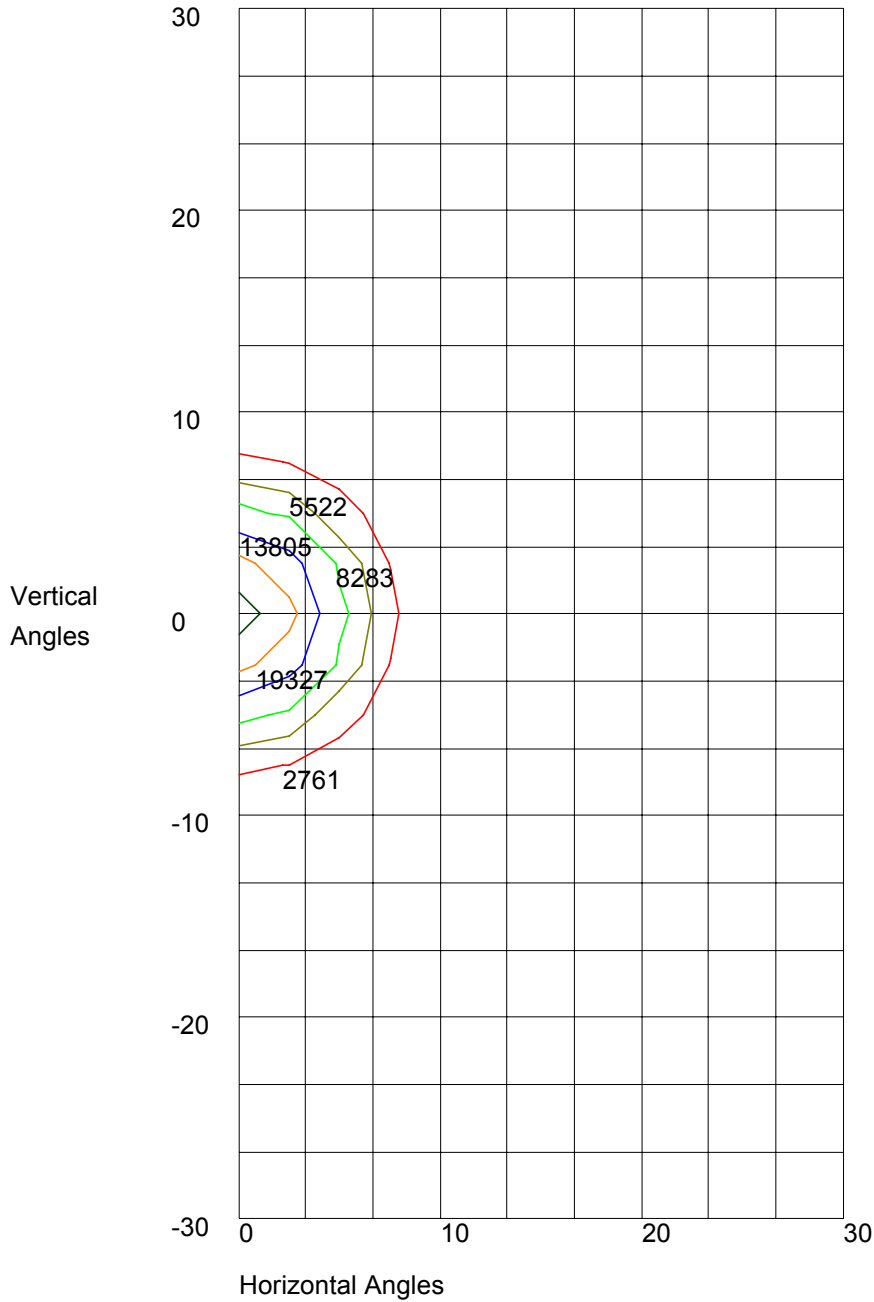
DEG.	HOR.	DEG.	VERT.
90	8	90	8
85	9	85	9
75	10	75	10
65	10	65	10
55	11	55	11
47.5	13	47.5	13
42.5	34	42.5	34
37.5	205	37.5	205
33	128	33	128
29	152	29	152
25.5	170	25.5	170
22.5	196	22.5	196
19.5	203	19.5	203
17	246	17	246
15	332	15	332
13	480	13	480
11	761	11	761
9	1495	9	1495
7	3652	7	3652
5	9331	5	9331
3	19201	3	19201
1	26584	1	26584
0	27610	0	27610
-1	26584	-1	26584
-3	19201	-3	19201
-5	9331	-5	9331
-7	3652	-7	3652
-9	1495	-9	1495
-11	761	-11	761
-13	480	-13	480
-15	332	-15	332
-17	246	-17	246
-19.5	203	-19.5	203
-22.5	196	-22.5	196
-25.5	170	-25.5	170
-29	152	-29	152
-33	128	-33	128
-37.5	205	-37.5	205
-42.5	34	-42.5	34
-47.5	13	-47.5	13
-55	11	-55	11
-65	10	-65	10
-75	10	-75	10
-85	9	-85	9
-90	8	-90	8

AXIAL CANDELA DISPLAY



Maximum Candela = 27610 Located At Horizontal Angle = 0, Vertical Angle = 0  
H - Horizontal Axial Candela  
V - Vertical Axial Candela

ISOCANDELA CURVES



Maximum Candela = 27610 Located At Horizontal Angle = 0, Vertical Angle = 0  
50% Maximum Candela = 13805  
10% Maximum Candela = 2761