

Photometric Test Report

IES FLOOD REPORT

PHOTOMETRIC FILENAME : L01121403.IES

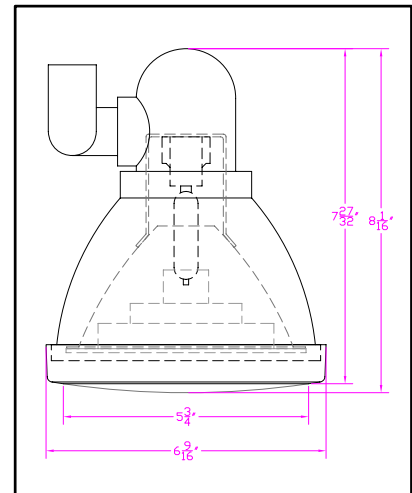
DESCRIPTIVE INFORMATION (From Photometric File)

IESNA:LM-63-2002
[TEST] L01121403
[TESTLAB] LIGHT LABORATORY, INC.
[ISSUEDATE] 2/16/2012
[MANUFAC] VISTA PROFESSIONAL OUTDOOR LIGHTING
[LUMCAT] 1096-B-CX-MH39-TSP-SS
[LUMINAIRE] 6-9/16"DIA. X 8-1/16"H. UP AND ACCENT LIGHT
[MORE] 39W CDM LAMP WITH TIGHT SPOT REFLECTOR WITH SOURCE SHIELD
[MORE] CLEAR TEMPERED GLASS LENS
[BALLASTCAT] HATCH MC39-1-F-UNNU
[BALLAST] 120-277V 50/60Hz ELECTRONIC
[LAMPPOSITION] 0,0
[LAMPCAT] SYLVANIA MC39TC/U/G8.5/830
[LAMPLUM] 3300
[INPUT] 120VAC, 44.73W

Note: Candela values converted from Type-C to Type-B

CHARACTERISTICS

NEMA Type	1 H x 1 V
Maximum Candela	35401
Maximum Candela Angle	0H 0V
Horizontal Beam Angle (50%)	6.6
Vertical Beam Angle (50%)	6.6
Horizontal Field Angle (10%)	16.0
Vertical Field Angle (10%)	16.0
Lumens Per Lamp	3300 (1 lamp)
Total Lamp Lumens	3300
Beam Lumens	251
Beam Efficiency	8 %
Field Lumens	646
Field Efficiency	20 %
Spill Lumens	345
Luminaire Lumens	992
Total Efficiency	30 %
Total Luminaire Watts	44.73
Ballast Factor	1.00

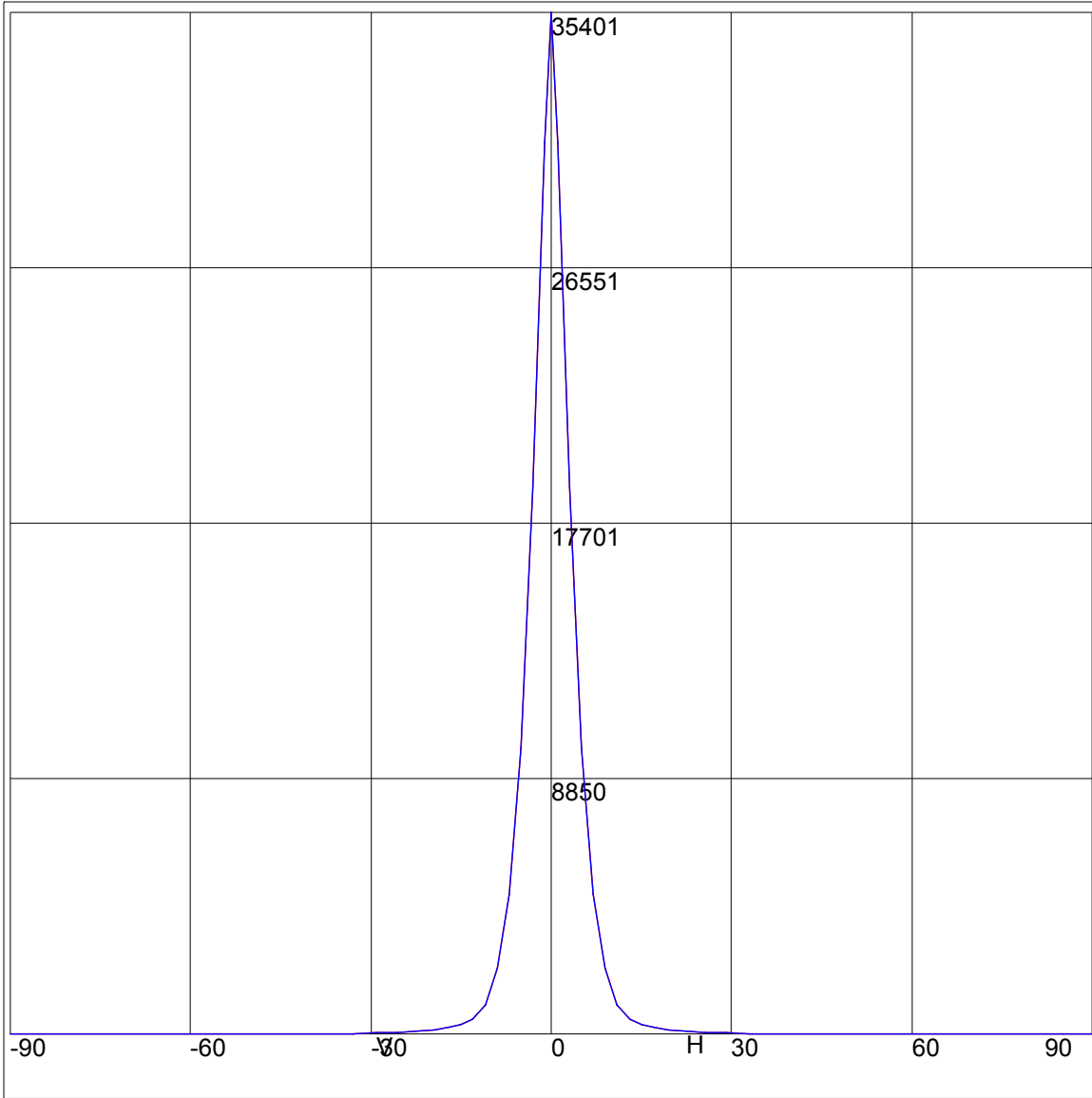


IES FLOOD REPORT
PHOTOMETRIC FILENAME : L01121403.IES

AXIAL CANDELA

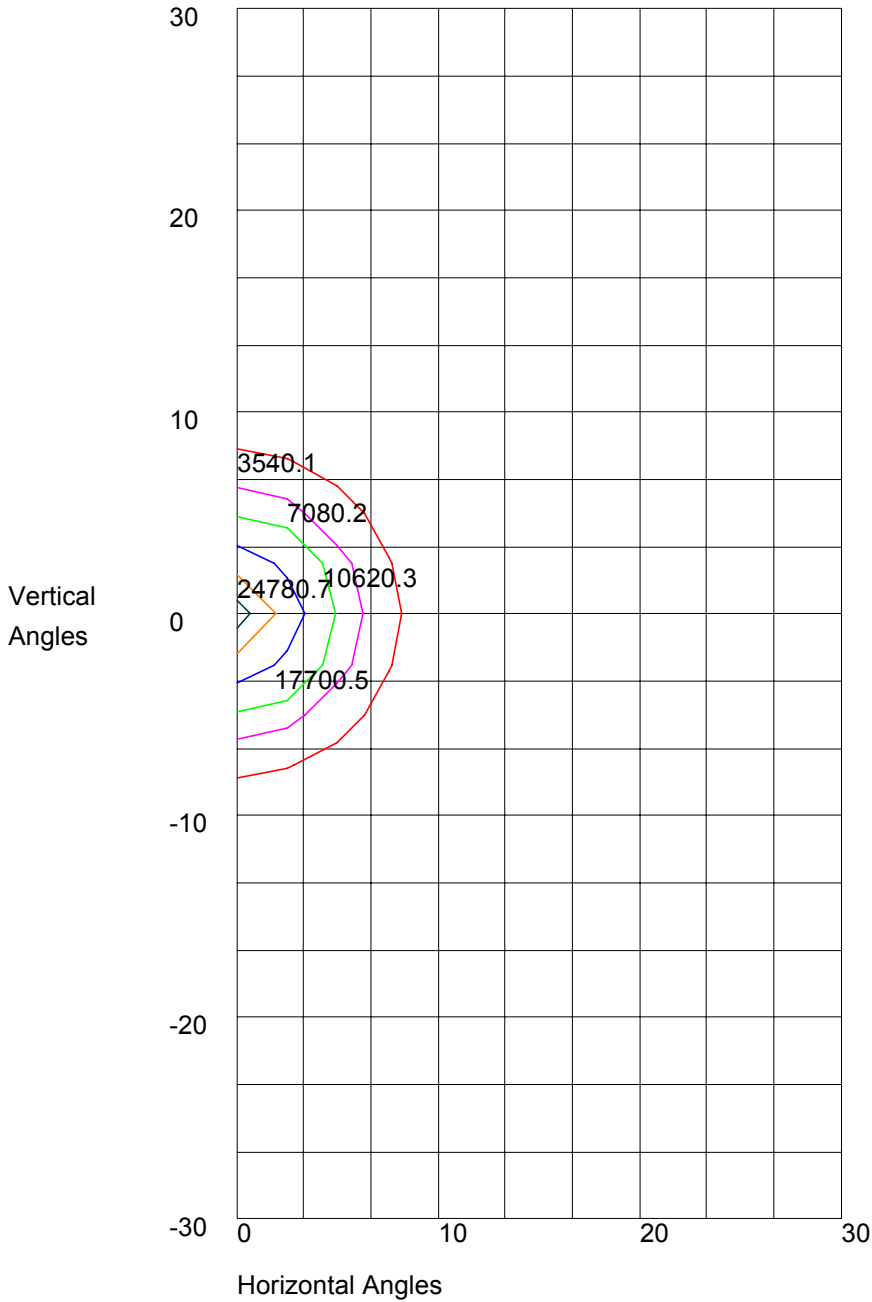
DEG.	HOR.	DEG.	VERT.
90	11	90	11
85	11	85	11
75	12	75	12
65	13	65	13
55	14	55	14
47.5	17	47.5	17
42.5	19	42.5	19
37.5	25	37.5	25
33	37	33	37
29	51	29	51
25.5	73	25.5	73
22.5	103	22.5	103
19.5	179	19.5	179
17	264	17	264
15	338	15	338
13	513	13	513
11	1003	11	1003
9	2282	9	2282
7	4833	7	4833
5	9922	5	9922
3	18949	3	18949
1	30867	1	30867
0	35401	0	35401
-1	30867	-1	30867
-3	18949	-3	18949
-5	9922	-5	9922
-7	4833	-7	4833
-9	2282	-9	2282
-11	1003	-11	1003
-13	513	-13	513
-15	338	-15	338
-17	264	-17	264
-19.5	179	-19.5	179
-22.5	103	-22.5	103
-25.5	73	-25.5	73
-29	51	-29	51
-33	37	-33	37
-37.5	25	-37.5	25
-42.5	19	-42.5	19
-47.5	17	-47.5	17
-55	14	-55	14
-65	13	-65	13
-75	12	-75	12
-85	11	-85	11
-90	11	-90	11

AXIAL CANDELA DISPLAY



Maximum Candela = 35401 Located At Horizontal Angle = 0, Vertical Angle = 0
H - Horizontal Axial Candela
V - Vertical Axial Candela

ISOCANDELA CURVES



Maximum Candela = 35401 Located At Horizontal Angle = 0, Vertical Angle = 0
50% Maximum Candela = 17700.5
10% Maximum Candela = 3540.1