

**IES FLOOD REPORT  
PHOTOMETRIC FILENAME : L01111202.IES**

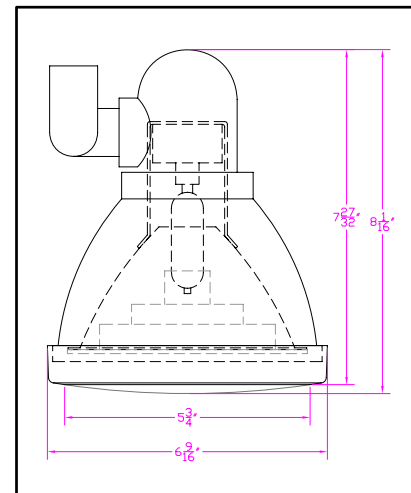
**DESCRIPTIVE INFORMATION (From Photometric File)**

IESNA:LM-63-2002  
[TEST] L0111-1202  
[TESTLAB] LIGHT LABORATORY, INC.  
[ISSUE DATE] 1/26/2011  
[MANUFAC] VISTA PROFESSIONAL OUTDOOR LIGHTING  
[LUMCAT] 1096-B-CX-MH70-TSP-SS  
[LUMINAIRE] 6-9/16"DIA. X 8-1/16"H. UP AND ACCENT LIGHT  
[MORE] 70W MH LAMP WITH TIGHT SPOT REFLECTOR AND SOURCE SHIELD  
[MORE] CLEAR TEMPERED GLASS LENS  
[BALLASTCAT] HATCH MC70-1-F-UNNU  
[BALLAST] 120-277V 50/60Hz ELECTRONIC  
[LAMPPOSITION] 0,0  
[LAMPCAT] SYLVANIA MC70T6/U/G12/940  
[LAMPLUM] 5800  
[INPUT] 120VAC, 79.63W

Note: Candela values converted from Type-C to Type-B

**CHARACTERISTICS**

NEMA Type	2 H x 2 V
Maximum Candela	44617
Maximum Candela Angle	0H 0V
Horizontal Beam Angle (50%)	8.8
Vertical Beam Angle (50%)	8.8
Horizontal Field Angle (10%)	19.2
Vertical Field Angle (10%)	19.2
Lumens Per Lamp	5800 (1 lamp)
Total Lamp Lumens	5800
Beam Lumens	494
Beam Efficiency	9 %
Field Lumens	1264
Field Efficiency	22 %
Spill Lumens	527
Luminaire Lumens	1791
Total Efficiency	31 %
Total Luminaire Watts	79.63
Ballast Factor	1.00

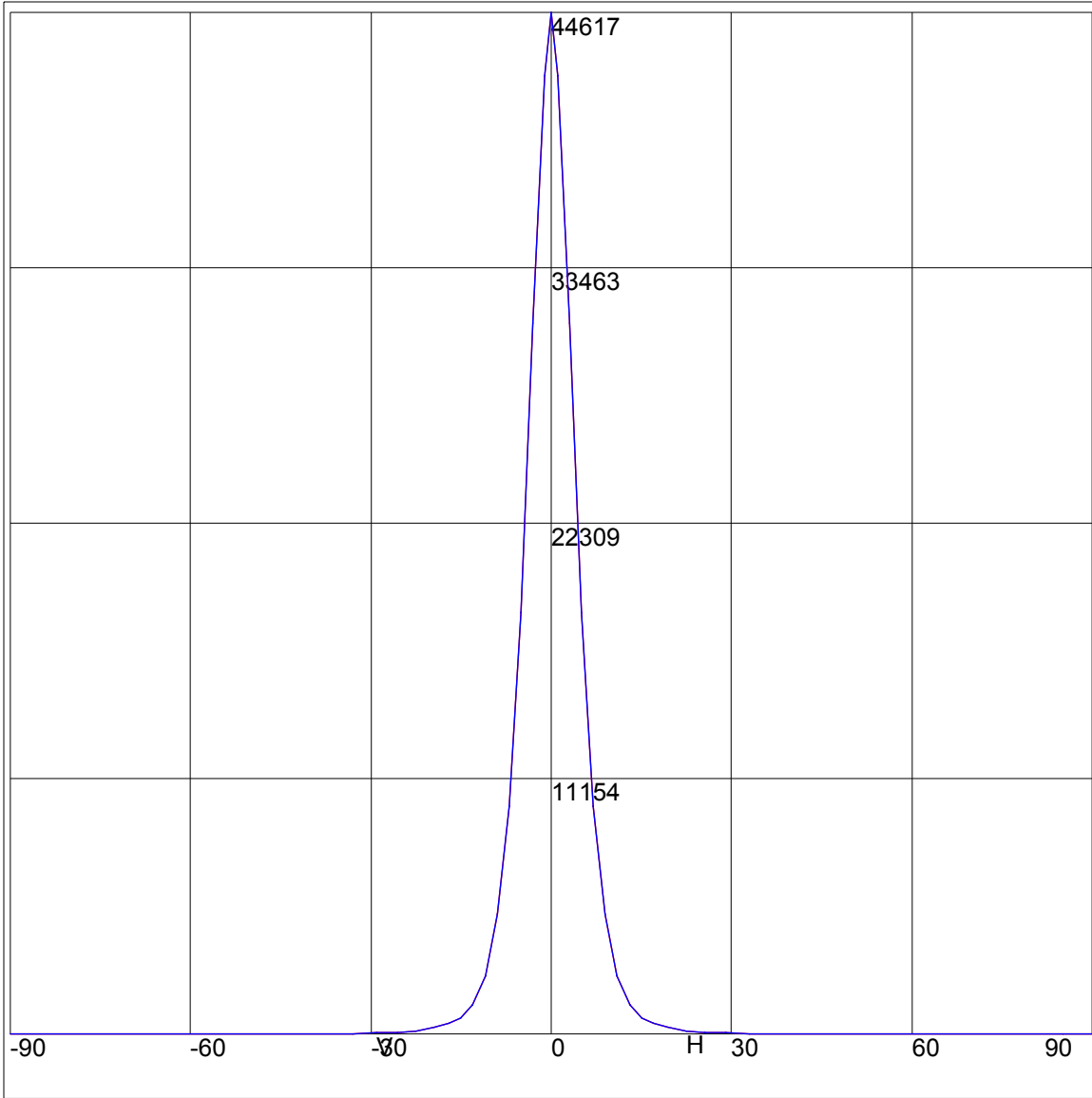


IES FLOOD REPORT  
PHOTOMETRIC FILENAME : L01111202.IES

AXIAL CANDELA

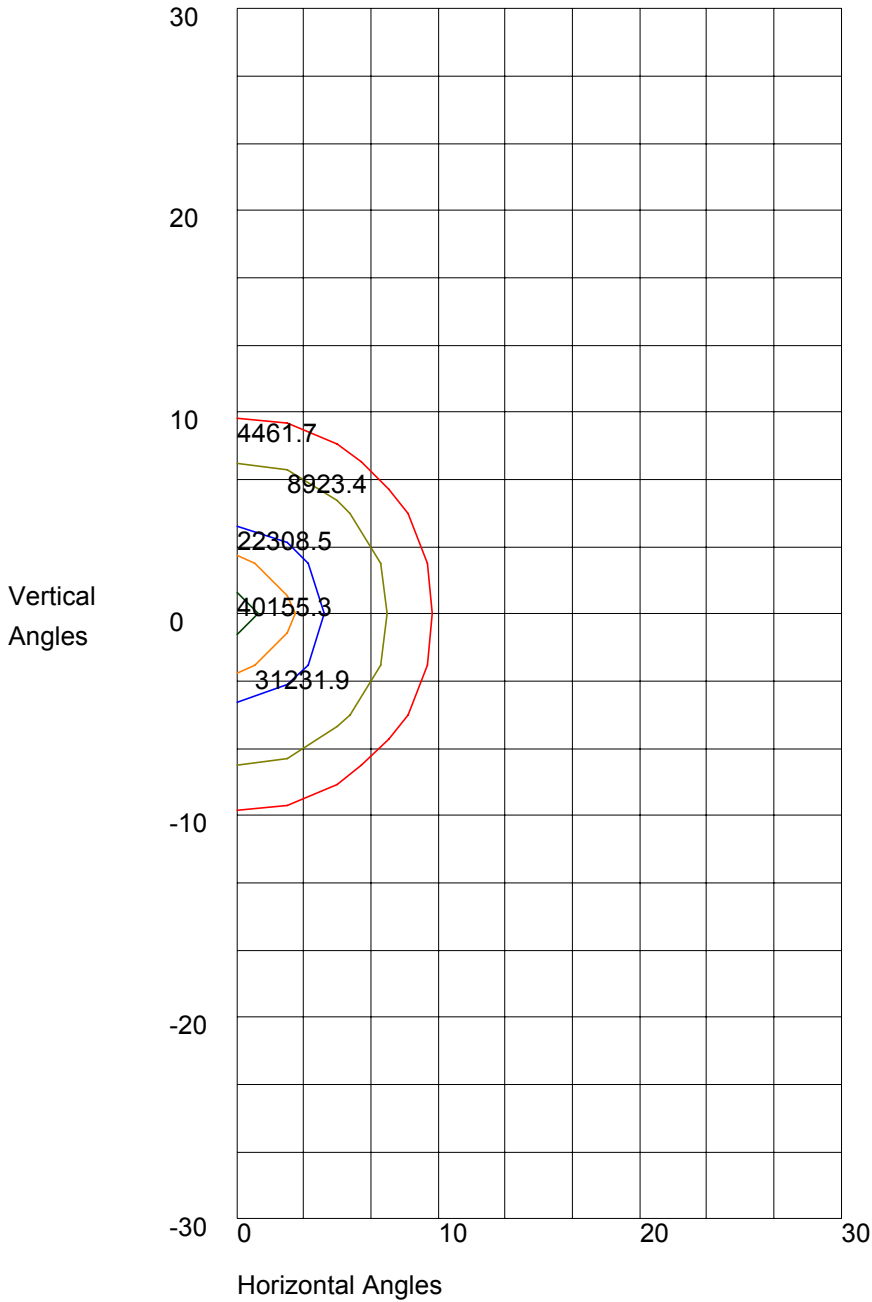
DEG.	HOR.	DEG.	VERT.
90	17	90	17
85	17	85	17
75	18	75	18
65	20	65	20
55	23	55	23
47.5	27	47.5	27
42.5	32	42.5	32
37.5	41	37.5	41
33	51	33	51
29	70	29	70
25.5	93	25.5	93
22.5	142	22.5	142
19.5	297	19.5	297
17	493	17	493
15	726	15	726
13	1266	13	1266
11	2577	11	2577
9	5250	9	5250
7	9953	7	9953
5	18407	5	18407
3	31062	3	31062
1	41853	1	41853
0	44617	0	44617
-1	41853	-1	41853
-3	31062	-3	31062
-5	18407	-5	18407
-7	9953	-7	9953
-9	5250	-9	5250
-11	2577	-11	2577
-13	1266	-13	1266
-15	726	-15	726
-17	493	-17	493
-19.5	297	-19.5	297
-22.5	142	-22.5	142
-25.5	93	-25.5	93
-29	70	-29	70
-33	51	-33	51
-37.5	41	-37.5	41
-42.5	32	-42.5	32
-47.5	27	-47.5	27
-55	23	-55	23
-65	20	-65	20
-75	18	-75	18
-85	17	-85	17
-90	17	-90	17

AXIAL CANDELA DISPLAY



Maximum Candela = 44617 Located At Horizontal Angle = 0, Vertical Angle = 0  
H - Horizontal Axial Candela  
V - Vertical Axial Candela

ISOCANDELA CURVES



Maximum Candela = 44617 Located At Horizontal Angle = 0, Vertical Angle = 0  
50% Maximum Candela = 22308.5  
10% Maximum Candela = 4461.7