

Type: _____
 Model: _____
 Project: _____

SPECIFICATION SHEET

MODEL: 1011 - 120V Series: Up & Accent Lights

FIXTURE SPECIFICATIONS:

LAMP TYPE:

R40, PAR38 - Incandescent & HID. 175W Maximum. Lamp not included with fixture, order separately. HID lamps require a ballast.

HOUSING:

Injection-molded, glass-reinforced Ryton™ R4 composite fitted to the housing with dual silicone o-ring gaskets, providing a superior weather-tight seal.

SHROUD:

Injection-molded, glass-reinforced Ryton™ R4 composite fitted to the housing with a C-curved cross-section gasket- surrounding the edge of the lens to provide a superior dual weather-tight seal.

FINISH:

Polyester powder-coat finish available in Black, Verde, Architectural Brick, Light Bronze, Dark Bronze, Granite, Pewter, Terra-cotta, Rust, Hunter Green, Mocha, Weathered Bronze, Weathered Iron, and White.

SOCKET/LAMP HOLDER:

Top grade porcelain, medium base 4KV pulse rated socket with spring center contact & a silicone rubber jacket protector to prevent moisture/debris from entering socket.

LENS:

Flat or convex, clear, tempered, shock & heat-resistant, soda-lime glass lens. Optical effect lenses are available; please see the lens &

accessories columns in the fixture ordering information chart.

MOUNTING:

Injection-molded, glass-reinforced Zytel® HTN composite adjustable knuckle with ½" NPT & jam nut. Fixture may be mounted into threaded hubs in junction boxes, ground stakes, grade-mounted ballast enclosures or tree mount boxes. Please see fixture ordering information for mounting selection.

FASTENERS:

All fasteners are stainless steel.

WIRING:

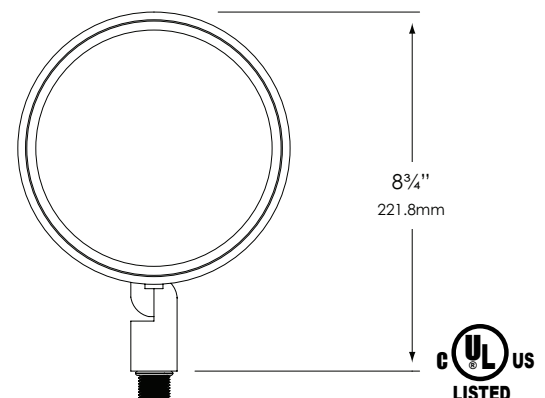
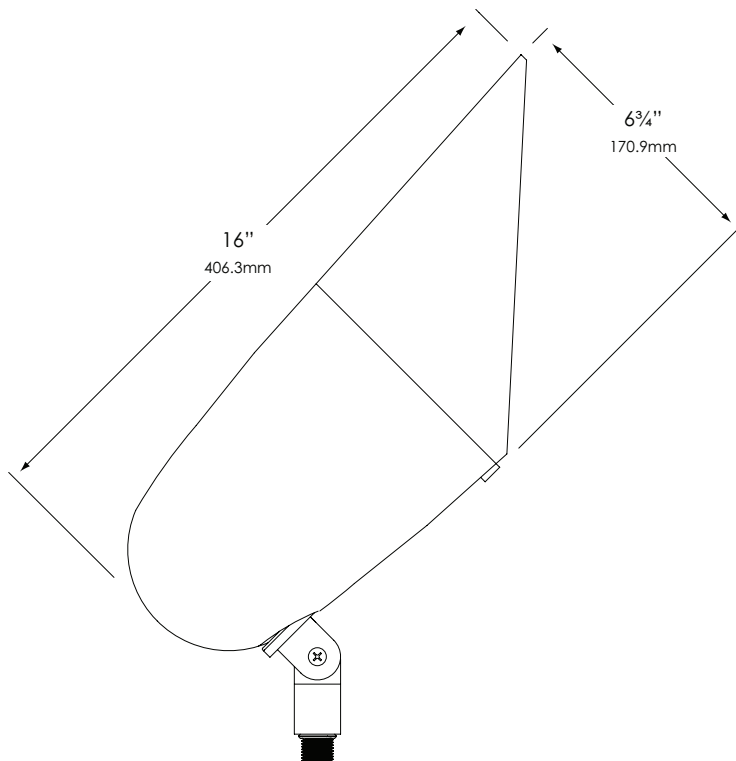
Prewired with 200°C-rated wire along with a grounded lead.

CERTIFICATION:

UL Listed to U.S. & Canadian safety standards for line voltage landscape luminaires (UL 1598). The maximum wattages allowed by Underwriters Laboratories (UL) for the U.S. & Canadian markets may vary. Maximum wattages specified are Underwriters Laboratories U.S. standard. Please contact Vista for any questions about the maximum wattages allowed by UL Canadian standards.

All Vista luminaires are **MADE IN THE U.S.A.**

DIMENSIONS:



Vista Professional Outdoor Lighting reserves the right to modify the design and/or construction of the fixture shown without further notification.



SPECIFICATION SHEET

MODEL: 1011 - 120V Series: Up & Accent Lights

FIXTURE ORDERING INFORMATION

TO ORDER FIXTURE: Select appropriate choice from each column as in the following example

EXAMPLE: 1011-B-CX-HL

MODEL	FINISH	ACCESSORIES
1011	B - Black G - Verde BR - Architectural Brick LZ - Light Bronze DZ - Dark Bronze GT - Granite P - Pewter TC - Terra-cotta R - Rust HG - Hunter Green M - Mocha WB - Weathered Bronze WI - Weathered Iron W - White	FT - Flat Clear lens BL - Flat Cool Blue lens SL - Flat Spread lens FR - Flat Frosted lens CX - Convex Clear lens CBL - Convex Cool Blue lens CFR - Convex Frosted lens DBL - Flat Dark Blue lens GL - Flat Dark Green lens RL - Flat Red lens YL - Flat Amber lens HL - Honeycomb louver

Lamp not included with fixture, order separately. - For available lamps, see Lamp Guide, Vista catalog.

Note: HID lamps require a ballast.

Vista Professional Outdoor Lighting reserves the right to modify the design and/or construction of the fixture shown without further notification.