

Type: \_\_\_\_\_  
 Model: \_\_\_\_\_  
 Project: \_\_\_\_\_

## SPECIFICATION SHEET

# MODEL: 1017 - 120V Series: Up & Accent Lights

### FIXTURE SPECIFICATIONS:

**LAMP TYPE:**

ED-17 - Mercury Vapor, Metal Halide, or High Pressure Sodium. 175W Maximum. Lamp not included with fixture, order separately. HID lamps require a ballast.

**HOUSING:**

Injection-molded, glass-reinforced Ryton™ R4 composite fitted to the housing with dual silicone o-ring gaskets, providing a superior weather-tight seal.

**SHROUD:**

Injection-molded, glass-reinforced Ryton™ R4 composite fitted to the housing with dual silicone o-ring gaskets, providing a superior weather-tight seal.

**FINISH:**

Polyester powder-coat finish available in Black, Verde, Architectural Brick, Light Bronze, Dark Bronze, Granite, Pewter, Terra-cotta, Rust, Hunter Green, Mocha, Weathered Bronze, Weathered Iron, and White.

**SOCKET/LAMP HOLDER:**

Top grade porcelain, medium base 4KV pulse rated socket with spring center contact & a silicone rubber jacket protector to prevent moisture/debris from entering socket.

**LENS:**

Flat or convex, clear, tempered, shock & heat-resistant, soda-lime glass lens. Optical effect lenses are available; please see the lens &

accessories columns in the fixture ordering information chart.

**REFLECTOR:**

Fixed flood reflector, mechanically formed with a polished Hammer tone finish for uniform flood distribution.

**MOUNTING:**

Injection-molded, glass-reinforced Zytel® HTN composite adjustable knuckle with ½" NPT & jam nut. Fixture may be mounted into threaded hubs in junction boxes, ground stakes, grade-mounted ballast enclosures or tree mount boxes. Please see fixture ordering information for mounting selection.

**FASTENERS:**

All fasteners are stainless steel.

**WIRING:**

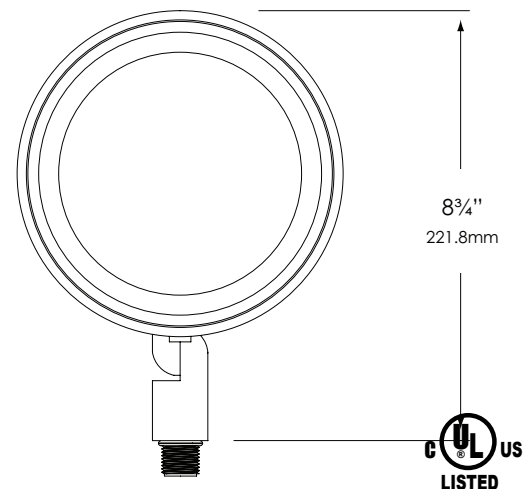
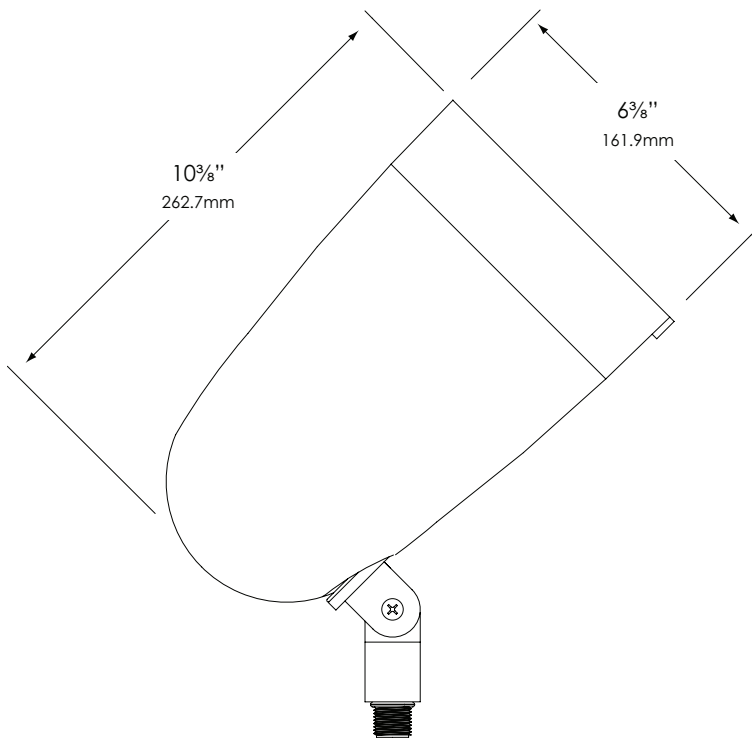
Prewired with 200°C-rated wire along with a grounded lead.

**CERTIFICATION:**

UL Listed to U.S. & Canadian safety standards for line voltage landscape luminaires (UL 1598). The maximum wattages allowed by Underwriters Laboratories (UL) for the U.S. & Canadian markets may vary. Maximum wattages specified are Underwriters Laboratories U.S. standard. Please contact Vista for any questions about the maximum wattages allowed by UL Canadian standards.

All Vista luminaires are **MADE IN THE U.S.A.**

### DIMENSIONS:



Vista Professional Outdoor Lighting reserves the right to modify the design and/or construction of the fixture shown without further notification.

## SPECIFICATION SHEET

### MODEL: 1017 - 120V Series: Up & Accent Lights

#### FIXTURE ORDERING INFORMATION

**TO ORDER FIXTURE:** Select appropriate choice from each column as in the following example

**EXAMPLE:** 1017-B-CX-HL

| MODEL | FINISH   | ACCESSORIES  |
|-------|--|--|
| 1017  | <b>B</b> - Black<br><b>G</b> - Verde<br><b>BR</b> - Architectural Brick<br><b>LZ</b> - Light Bronze<br><b>DZ</b> - Dark Bronze<br><b>GT</b> - Granite<br><b>P</b> - Pewter<br><b>TC</b> - Terra-cotta<br><b>R</b> - Rust<br><b>HG</b> - Hunter Green<br><b>M</b> - Mocha<br><b>WB</b> - Weathered Bronze<br><b>WI</b> - Weathered Iron<br><b>W</b> - White | <b>FT</b> - Flat Clear lens<br><b>BL</b> - Flat Cool Blue lens<br><b>SL</b> - Flat Spread lens<br><b>FR</b> - Flat Frosted lens<br><b>CX</b> - Convex Clear lens<br><b>CBL</b> - Convex Cool Blue lens<br><b>CFR</b> - Convex Frosted lens<br><b>DBL</b> - Flat Dark Blue lens<br><b>GL</b> - Flat Dark Green lens<br><b>RL</b> - Flat Red lens<br><b>YL</b> - Flat Amber lens<br><b>HL</b> - Honeycomb louver |

Lamp not included with fixture, order separately. - For available lamps, see Lamp Guide, Vista catalog.

Note: HID lamps require a ballast.