

Type: _____
 Model: _____
 Project: _____

SPECIFICATION SHEET

MODEL: 1035 - 120V Series: Up & Accent Lights

FIXTURE SPECIFICATIONS:

LAMP TYPE:

ED-17- Mercury Vapor, Metal Halide, or High-Pressure Sodium. 100W Maximum. Lamp not included with fixture, order separately. Ballast is integrated into each fixture – please specify ballast type in fixture ordering information.

HOUSING:

Injection-molded, glass-reinforced Ryton™ R4 composite for strength & high UV stability – warranted for ten years against corrosion.

SHROUD:

Injection-molded, glass-reinforced polymer (Ryton™ R4) fitted to the housing with a silicone o-ring gasket, providing a superior weather-tight seal. The hinged shroud opens easily for access to the lamp & is latched securely with stainless steel screws at the top to assure the compartment maintains its weather-tight seal.

FINISH:

Polyester powder-coat finish available in Black, Verde, Architectural Brick, Light Bronze, Dark Bronze, Granite, Pewter, Terra-cotta, Rust, Hunter Green, Mocha, Weathered Bronze, Weathered Iron, and White.

SOCKET/LAMP HOLDER:

Top grade porcelain, medium base 4KV pulse rated socket with spring center contact & a silicone rubber jacket protector to prevent moisture/debris from entering socket.

BALLAST:

High-power factor ballast rated for -20°F starting, 120-volt standard.

LENS:

Flat, clear, tempered, shock & heat-resistant, soda-lime glass lens. Optical effect lenses are available; please see the lens & accessories columns in the fixture ordering information chart.

REFLECTOR:

Hammer tone finish high performance aluminum reflector for even beam pattern.

SWIVEL:

Heavy-duty two-piece swivel bracket. The swivel bracket mounts directly to an optional post mount hub, which can be ordered separately.

FASTENERS:

All fasteners are stainless steel.

WIRING:

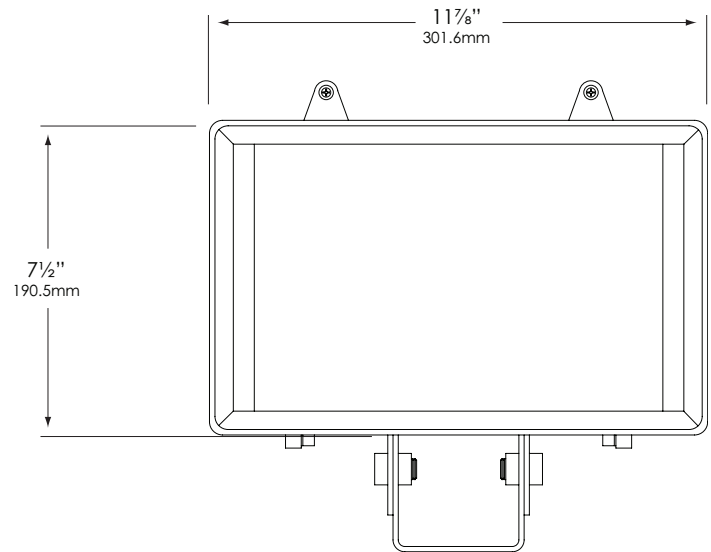
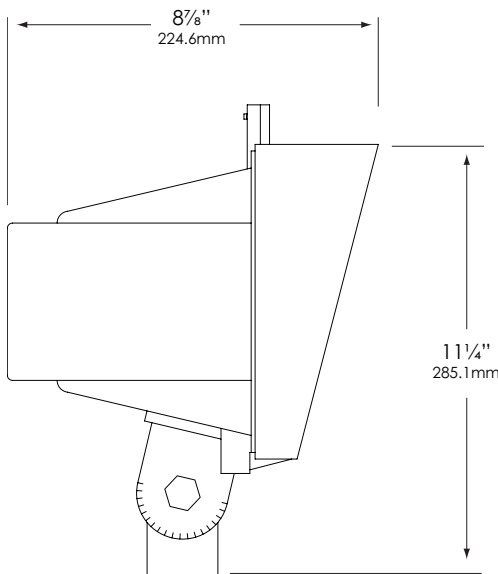
Prewired with 200°C-rated wire along with a grounded lead.

CERTIFICATION:

UL Listed to U.S. & Canadian safety standards for line voltage landscape luminaires (UL 1598). The maximum wattages allowed by Underwriters Laboratories (UL) for the U.S. & Canadian markets may vary. Maximum wattages specified are Underwriters Laboratories U.S. standard. Please contact Vista for any questions about the maximum wattages allowed by UL Canadian standards.

All Vista luminaires are **MADE IN THE U.S.A.**

DIMENSIONS:



Vista Professional Outdoor Lighting reserves the right to modify the design and/or construction of the fixture shown without further notification.

SPECIFICATION SHEET

MODEL: 1035 - 120V Series: Up & Accent Lights

FIXTURE ORDERING INFORMATION

TO ORDER FIXTURE: Select appropriate choice from each column as in the following example

EXAMPLE: 1035-B-FR-70-MH-120-HD

MODEL	FINISH	ACCESSORIES	BALLAST WATTAGE	BALLAST TYPE	BALLAST VOLTAGE	SWIVEL	
1035	B - Black	FR - Frosted flat lens	50, 70	MH - Metal Halide	120	HD - Heavy-duty, two-piece swivel assembly	
	G - Verde		50		208		
	BR - Architectural Brick		35, 50, 70		MV - Mercury Vapor		240
	LZ - Light Bronze						277
	DZ - Dark Bronze						MT - Multi-tap
	GT - Granite				HPS - High Pressure Sodium		
	P - Pewter						
	TC - Terra-cotta						
	R - Rust						
	HG - Hunter Green						
M - Mocha							
WB - Weathered Bronze							
WI - Weathered Iron							
W - White							

Lamp not included with fixture, order separately. - For available lamps, see Lamp Guide, Vista catalog.

Vista Professional Outdoor Lighting reserves the right to modify the design and/or construction of the fixture shown without further notification.