

Type: _____
 Model: _____
 Project: _____

SPECIFICATION SHEET

MODEL: 1110 - 120V Series: In-Ground & Well Lights

FIXTURE SPECIFICATIONS:

LAMP TYPE:

PL - Triple Compact Fluorescent, 32W Max. Ballast is integrated into fixture. Please specify ballast type in the fixture ordering information chart. Lamp not included with fixture, order separately.

HOUSING:

Compression-molded, glass-reinforced polymer for strength and high UV stability – warranted for ten years against corrosion.

LENS COVER:

Injection-molded, glass-reinforced Ryton™ R4 composite fitted to the housing with a C-curved cross-section gasket– surrounding the edge of the lens to provide a superior dual weather-tight seal.

FINISH:

Available in Black, Dark Bronze, Light Bronze, Verde, Pewter, Architectural Brick, Granite, Terra-cotta, Rust, Hunter Green, Mocha, Weathered Bronze, Weathered Iron, or White lens cover. Housing available in black only.

SOCKET/LAMP HOLDER:

GX24 base compact florescent thermoplastic socket.

BALLAST:

Electronic ballast with universal input voltage from 120 to 277V, simplified wiring, and micro-controller circuitry for energy efficiency and reliable control, rated for ±0°F starting.

LENS:

Clear, tempered, shock and heat resistant, soda-lime glass lens - crowned (convex) to promote water runoff. Optical effect lenses are available; please see the lens and accessories columns on fixture ordering information chart.

OPTICS/AIMING:

Adjustable lamp bracket provides up to ±25° of tilt as well as 360° of rotation

for precise beam control. Lamp bracket can be locked into place to prevent disrupting lamp position when relamping.

REFLECTOR:

Spot reflector, mechanically formed with a polished semispecular finish for even beam control.

MOUNTING:

In-grade. Wire compartment has two ¾" NPT conduit entries for through wiring as well as a silicone rubber gasketed cover for a completely waterproof wiring compartment (Optional pre-tapped side conduit entries are available – consult factory for details). Potting compound for wiring compartment supplied with fixture. Housing design allows for direct concrete mounting with no concrete mounting kit required.

FASTENERS/INSERTS:

All fasteners are stainless steel and brass.

WIRING:

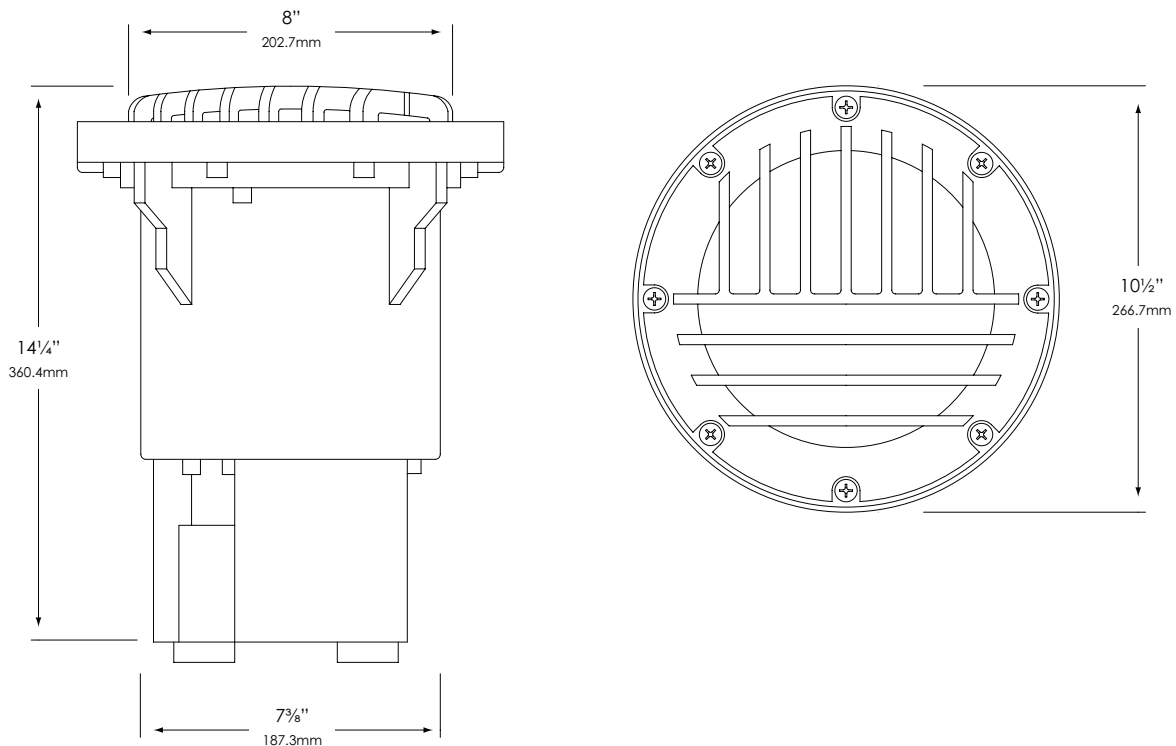
Prewired with 200°C-rated wire along with a grounded lead.

CERTIFICATION:

UL Listed to U.S. and Canadian safety standards for line voltage landscape luminaires (UL 1598). The maximum wattages allowed by Underwriters Laboratories (UL) for the U.S. and Canadian markets may vary. Maximum wattages specified are Underwriters Laboratories U.S. standard. Please contact Vista for any questions about the maximum wattages allowed by UL Canadian standards. This luminaire has an ingress protection rating of IP67 for protection against detrimental dust intrusion as well as penetration of water under submersion. Drive-over rated for 3,000 lb.

All Vista luminaires are **MADE IN THE U.S.A.**

DIMENSIONS:



Vista Professional Outdoor Lighting reserves the right to modify the design and/or construction of the fixture shown without further notification.



SPECIFICATION SHEET

MODEL: 1110 - 120V Series: In-Ground & Well Lights

FIXTURE ORDERING INFORMATION

TO ORDER FIXTURE: Select appropriate choice from each column as in the following example

EXAMPLE: 1110-B-CX-18-120-HL

MODEL	FINISH	LENS	INTEGRATED HID BALLAST		ACCESSORIES
			WATTAGE	VOLTAGE	
1110	B - Black	CX - Crowned Lens	18	120	HL - Honeycomb Louver
	G - Verde	CBL - Crowned Cool Blue Lens		208	
	BR - Architectural Brick	CFR - Crowned Frosted Lens		240	
	LZ - Light Bronze			277	
	DZ - Dark Bronze		26		
	GT - Granite		32	MT - Multi Tap	
	P - Pewter				
	TC - Terra-cotta				
	R - Rust				
	HG - Hunter Green				
	M - Mocha				
	WB - Weathered Bronze				
	WI - Weathered Iron				
	W - White				

Lamp not included with fixture, order separately - For available lamps, see Lamp Guide - Vista catalog.

Vista Professional Outdoor Lighting reserves the right to modify the design and/or construction of the fixture shown without further notification.