

Type: _____
 Model: _____
 Project: _____

SPECIFICATION SHEET

MODEL: 1117 - 120V Series: In-Ground & Well Lights

FIXTURE SPECIFICATIONS:

LAMP TYPE:

MR-16 - Halogen. 50W Max.
 Electronic 12V transformer is integrated into fixture. Please specify transformer primary voltage in fixture ordering information chart.
 Lamp not included with fixture, order separately.

(See back page for LED lamp specifications)

HOUSING:

Injection-molded, glass-reinforced polymer for strength and high UV stability – warranted for ten years against corrosion.

LENS COVER:

Injection-molded, glass-reinforced Ryton™ R4 composite. Lens and cover are fitted to housing with black silicone rubber gaskets – providing a superior weather-tight seal.

FINISH:

Available in Black, Dark Bronze, Light Bronze, Verde, Pewter, Architectural Brick, Granite, Terra-cotta, Rust, Hunter Green, Mocha, Weathered Bronze, Weathered Iron, or White lens cover. Housing available in black only.

SOCKET/LAMP HOLDER:

Top grade American-made ceramic socket with nickel contacts, stainless steel springs, and Teflon-jacketed wire leads.

TRANSFORMER:

High-power factor moisture and shock resistant electronic transformer with short circuit and overload protection as well as soft start circuitry to maximize lamp life.

LENS:

Clear, tempered, shock and heat resistant, soda-lime glass lens - crowned (convex) to promote water runoff. Optical effect lenses are available; please

see lens and accessories columns on fixture ordering information chart.

OPTICS/AIMING:

Adjustable lamp bracket provides up to $\pm 45^\circ$ with 360° of rotation as well as two inches of variable lamp height adjustment for precise beam control. Lamp bracket can be locked into place to prevent disrupting lamp position when relamping.

MOUNTING:

In-grade. Individual water-tight wiring compartment has two $\frac{3}{4}$ " NPT conduit entries for through wiring and one $\frac{1}{2}$ " NPT conduit entry for remote access. Potting compound for wiring compartment supplied with fixture. Optional concrete mounting kit available, please see accessories column on fixture ordering information chart.

FASTENERS/INSERTS:

All fasteners are stainless steel and brass.

WIRING:

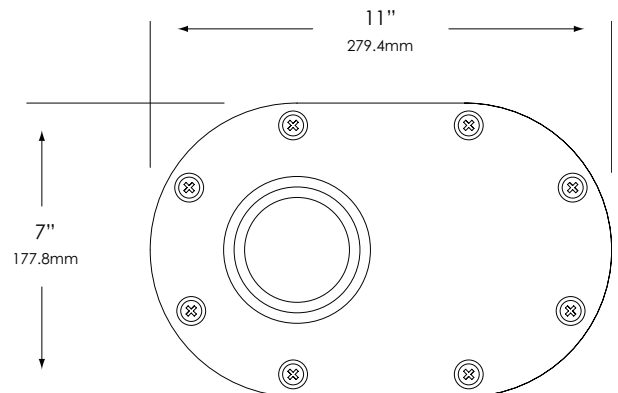
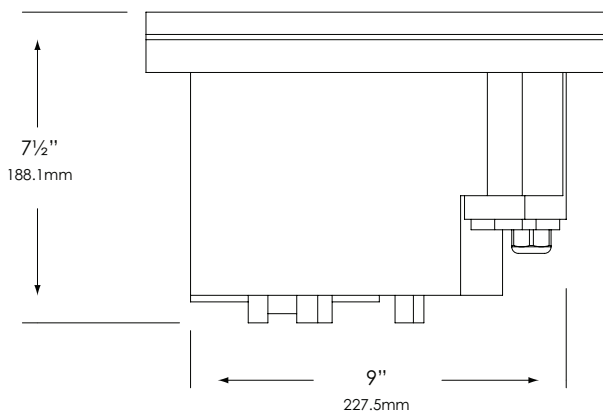
Prewired with 200°C-rated wire along with a grounded lead.

CERTIFICATION:

UL Listed to U.S. and Canadian safety standards for line voltage landscape luminaires (UL 1598). Maximum wattages allowed by Underwriters Laboratories (UL) for U.S. and Canadian markets may vary. Maximum wattages specified are Underwriters Laboratories U.S. standard. Please contact Vista for any questions about maximum wattages allowed by UL Canadian standards.

All Vista luminaires are **MADE IN U.S.A.**

DIMENSIONS:



Vista Professional Outdoor Lighting reserves the right to modify the design and/or construction of the fixture shown without further notification.

SPECIFICATION SHEET

MODEL: 1117 - 120V Series: In-Ground & Well Lights

LED LAMP SPECIFICATIONS (if applicable) :

LAMP TYPE:

High Output LED with smart-driver, powered to operate for 50,000 hours. Regulated to achieve uniform illumination throughout the cable run of fixtures.

OPTICS:

Integral high-efficiency optics available in spot through flood beam spreads.

FIXTURE ORDERING INFORMATION

TO ORDER FIXTURE: Select appropriate choice from each column as in the following example

EXAMPLE: 1117-B-CFO-120-HL

MODEL	FINISH	TRANSFORMER INPUT VOLTAGE	ACCESSORIES
1117	B - Black G - Verde BR - Architectural Brick LZ - Light Bronze DZ - Dark Bronze GT - Granite P - Pewter TC - Terra-cotta R - Rust HG - Hunter Green M - Mocha WB - Weathered Bronze WI - Weathered Iron W - White	120 277	CX - Crowned Clear lens CBL - Crowned Cool Blue lens CFR - Crowned Frosted lens SL - Flat Spread lens DBL - Flat Dark Blue lens GL - Flat Dark Green lens RL - Flat Red lens YL - Flat Amber lens HL - Honeycomb louver CGB-150 - Concrete mounting kit

Lamp not included with fixture, order separately - For available lamps, see Lamp Guide - Vista catalog.

Vista Professional Outdoor Lighting reserves the right to modify the design and/or construction of the fixture shown without further notification.