

Type: _____
 Model: _____
 Project: _____

SPECIFICATION SHEET

MODEL: 1124 - 120V Series: In-Ground & Well Lights

FIXTURE SPECIFICATIONS:

LAMP TYPE:

T6- Metal Halide, 70W Max. Ballast is integrated into fixture. Please specify ballast type in fixture ordering information. Lamp not included with fixture, order separately.

HOUSING:

Compression-molded, glass-reinforced polymer for strength and high UV stability – warranted for ten years against corrosion.

LENS COVER:

Injection-molded, glass-reinforced Ryton™ R4 composite fitted to housing with a C-curved cross-section gasket- surrounding edge of lens to provide a superior dual weather-tight seal.

FINISH:

Available in Black, Dark Bronze, Light Bronze, Verde, Pewter, Architectural Brick, Granite, Terra-cotta, Rust, Hunter Green, Mocha, Weathered Bronze, Weathered Iron, or White lens cover. Housing available in black only.

SOCKET/LAMP HOLDER:

Top grade porcelain, medium base 4KV pulse rated socket with spring center contact and a silicone rubber jacket protector to prevent moisture/debris from entering socket.

BALLAST:

High-power factor ballast rated for -20°F starting, 120 volt standard.

LENS:

Clear, tempered, shock and heat resistant, soda-lime glass lens - crowned (convex) to promote water runoff. Optical effect lenses are available; please see lens and accessories columns on fixture ordering information chart.

OPTICS/AIMING:

Adjustable lamp bracket provides up to ±25° of tilt as well as 360° of rotation

for precise beam control. Lamp bracket can be locked into place to prevent disrupting lamp position when relamping.

REFLECTOR:

Flood reflector, mechanically formed with a polished Hammer tone finish for uniform flood distribution.

MOUNTING:

In-grade. Wire compartment has two ¾" NPT conduit entries for through wiring as well as a silicone rubber gasketed cover for a completely waterproof wiring compartment (Optional pre-tapped side conduit entries are available – consult factory for details). Potting compound for wiring compartment supplied with fixture. Housing design allows for direct concrete mounting with no concrete mounting kit required.

FASTENERS/INSERTS:

All fasteners are stainless steel and brass.

WIRING:

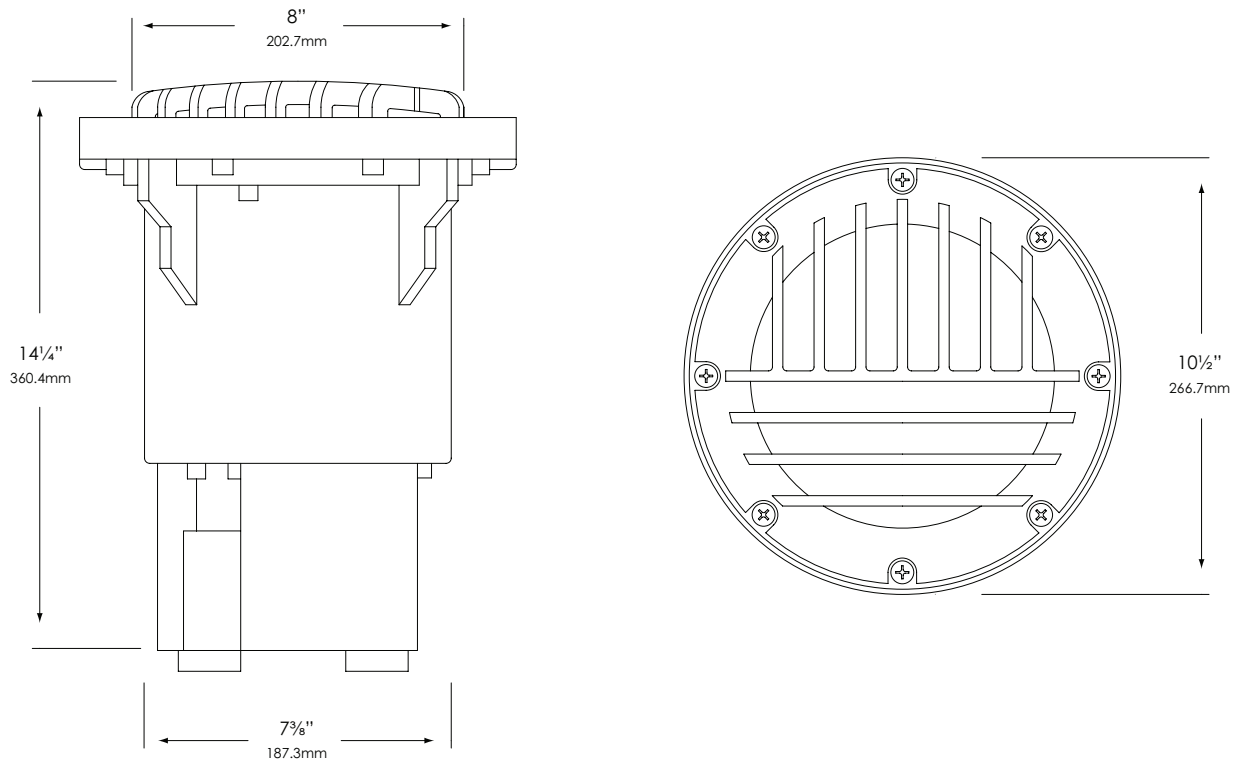
Prewired with 200°C-rated wire along with a grounded lead.

CERTIFICATION:

UL Listed to U.S. and Canadian safety standards for line voltage landscape luminaires (UL 1598). Maximum wattages allowed by Underwriters Laboratories (UL) for U.S. and Canadian markets may vary. Maximum wattages specified are Underwriters Laboratories U.S. standard. Please contact Vista for any questions about maximum wattages allowed by UL Canadian standards. This luminaire has an ingress protection rating of IP67 for protection against detrimental dust intrusion as well as penetration of water under submersion.

All Vista luminaires are **MADE IN U.S.A.**

DIMENSIONS:



Vista Professional Outdoor Lighting reserves the right to modify the design and/or construction of the fixture shown without further notification.



SPECIFICATION SHEET

MODEL: 1124 - 120V Series: In-Ground & Well Lights

FIXTURE ORDERING INFORMATION

TO ORDER FIXTURE: Select appropriate choice from each column as in the following example

EXAMPLE: 1124-B-CX-70-MH-120-HL

MODEL	FINISH	LENS	INTEGRATED HID BALLAST			ACCESSORIES
			WATTAGE	BALLAST	VOLTAGE	
1124	B - Black G - Verde BR - Architectural Brick LZ - Light Bronze DZ - Dark Bronze GT - Granite P - Pewter TC - Terra-cotta R - Rust HG - Hunter Green M - Mocha WB - Weathered Bronze WI - Weathered Iron W - White	CX - Crowned Lens CBL - Crowned Cool Blue Lens CFR - Crowned Frosted Lens	35	MH - Metal Halide	120	HL - Honeycomb Louver
			70		208 240 277 MT - Multi Tap	

Lamp not included with fixture, order separately - For available lamps, see Lamp Guide - Vista catalog.

Vista Professional Outdoor Lighting reserves the right to modify the design and/or construction of the fixture shown without further notification.