



PROFESSIONAL
OUTDOOR LIGHTING

Type:

Model:

Project:

SPECIFICATION SHEET

MODEL 1185 Architectural Series • Inground & Well Lights

FIXTURE SPECIFICATIONS:

DOOR:

Die-cast, low copper content, A360 aluminum. Post anodized Type III (hard anodized) and powder coated for maximum corrosion protection. Captive stainless steel fasteners affixed to a ventilated door. Inner vents allow hot air to escape from around optic housing while outer vents allow cool air to enter fixture housing.

FIXTURE HOUSING:

Compression-molded, glass-reinforced polymer for strength and high UV stability. Molded with integral junction box. Unibody construction allows for superior door and optic housing support. J-box comes standard with two 3/4" NPT bottom **B34** tapped holes. 3/4" NPT front **F34**, 3/4" NPT side **S34** and 3/4" NPT all **A34** conduit entry holes optional (Consult Factory).

OPTIC HOUSING:

Die-cast A360 aluminum. Finned for maximum heat disipation. Type III hard anodized and Henderlubed for maximum corrosion protection. Optic and driver compartment separately sealed while being electrically connected.

DRIVER COMPARTMENT:

Injection molded PPS for maximum corrosion protection. Driver compartment houses electronic LED driver and thermostat which cuts power to fixture in abnormal ambient temperature conditions. Driver compartment is completely epoxy potted to protect electronics from moisture.

DOOR FINISH:

Durable powder coat finish available in Glossy Gray, Black, Architectural Bronze, Dark Bronze, Verde, Pewter, Architectural Brick, Granite, Light Bronze, Special Bronze, Terracotta, Rust, Hunter Green, Mocha, Weathered Bronze, Weathered Iron, and White. Custom Powder coat finishes available on request.

LED:

Cree® CXA 1830 COB driven at 350mA, 500mA, or 620mA.

COLOR TEMPERATURE:

LED's are offered in 2700°K, 3000°K, 3500°K, 4000°K, or 5000°K CCT ANSI white 4 step Cree® East White™ bins

LIGHT DISTRIBUTION:

Very Narrow Spot **VNS** (NEMA 2x2), Narrow Spot **NS** (NEMA 2x2), Medium Flood **MF** (NEMA 4x4), and Wide Flood **WF** (NEMA 6x6).

REFLECTOR:

Specular or semi-specular optics designed for maximum performance and uniformity. Very Narrow Spot **VNS** optic incorporates an internal source shield to eliminate unwanted glare outside the beam pattern.

LENS/SEAL:

1/4" thick tempered pressed clear glass sealed with a solid molded silicone gasket.

WIRING:

3' 18/3 outdoor-rated hard usage cable standard for non-dimming **ND** and Phase Cut TRIAC (120V only) dimming **PCT** fixtures. 3' 18/5 outdoor-rated hard usage cable standard for 0-10V dimming **O10** fixtures. Cable exits fixture housing through a liquid tight cable fitting.

DRIVER:

Integral CUL listed LED driver, either non-dimmable **ND** or dimmable. Dimming: 0-10VDC **O10** and Phase Cut TRIAC (120V only) **PCT** options available. Multi-Volt **MV** 120V-277V driver input standard.

ACCESSORIES:

TO5 - Tilt Optic 5°, **TO10** - Tilt Optic 10°, **TO15** - Tilt Optic 15°, **TO25** - Tilt Optic 25°, **DF** - Diffuse Filter, **LSF** - Linear Spread Filter, **RBK** - Rebar Bracket Kit, **STR** Stainless Trim Ring, and **HS** - Half Glare Shield. Dichroic Lenses: **YL** - Yellow, **RL** - Red, **BL** - Blue, **GL** - Green.

MOUNTING:

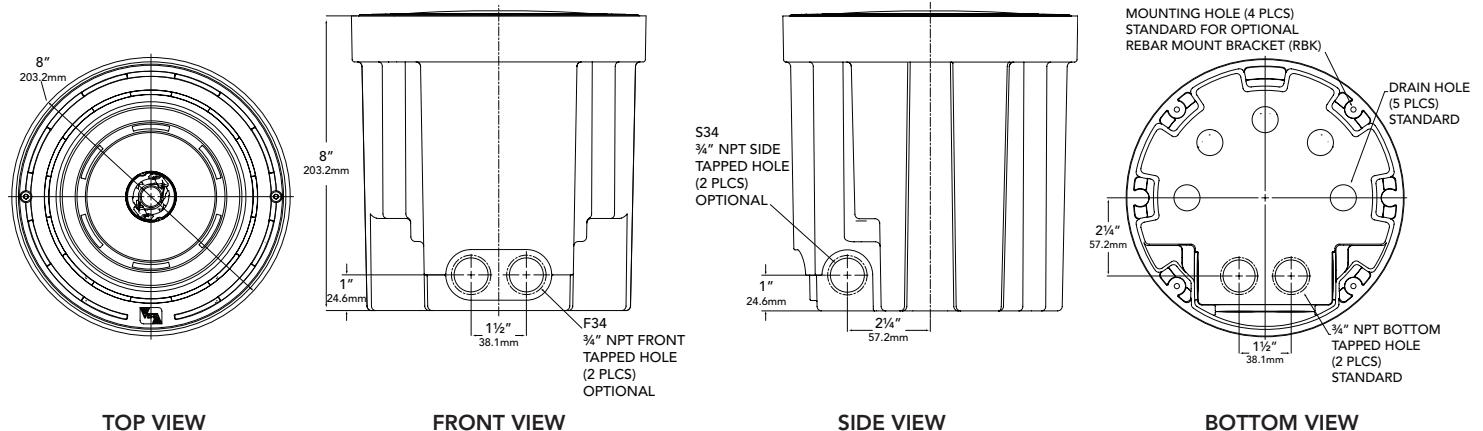
Fixture suitable for direct burial in earth or poured concrete applications.

CERTIFICATION:

C ETL US wet location listed. *IP68*

All Vista luminaires are **MADE IN THE U.S.A.**

DIMENSIONS:



TOP VIEW

FRONT VIEW

SIDE VIEW

BOTTOM VIEW



Vista Professional Outdoor Lighting reserves the right to modify the design and/or construction of the fixture shown without further notification.



SPECIFICATION SHEET

MODEL 1185 Architectural Series • Inground & Well Lights

LAMP SPECIFICATIONS

LED:

- High lumen output LED powered for high efficacy
- Cree® CXA 1830 COB driven at 350mA, 500mA, or 620mA
- 2700°K, 3000°K, 3500°K, 4000°K, or 5000°K CCT ANSI white 4 step Cree® Easy White™ bins.
- 800-2000 Delivered Lumens
- 15-25 Watts

OPTICS/AIMING:

- Specular or semi-specular optics designed for maximum performance and uniformity.
- Very Narrow Spot **VNS** (NEMA 2x2), Narrow Spot **NS** (NEMA 2x2), Medium Flood **MF** (NEMA 4x4), and Wide Flood **WF** (NEMA 6x6).

- Fixture aiming achieved via a series of tilt optic lenses and patent pending magnetic aiming system.

ELECTRICAL:

- Constant current 350mA, 500mA, or 620mA output driver.
- Multi-Volt **MV** 120V-277V universal input.
- 3' 18/3 outdoor-rated hard usage cable standard for non-dimming fixtures and Phase Cut TRIAC PCT dimming fixtures.
- 3' 18/5 outdoor-rated hard usage cable standard for 0-10V dimming fixtures.

FIXTURE ORDERING INFORMATION

TO ORDER FIXTURE: Select appropriate choice from each column as in the following example.

EXAMPLE: 1185-GG-NS-30-A-MV-CX-ND-F34-TO5

MODEL	DOOR FINISH		DISTRIBUTION	COLOR TEMPERATURE	DELIVERED LUMENS
1185	GG - Glossy Gray B - Black Z - Architectural Bronze DZ - Dark Bronze LZ - Light Bronze G - Verde P - Pewter BR - Architectural Brick GT - Granite	TC - Terracotta R - Rust HG - Hunter Green M - Mocha WB - Weathered Bronze WI - Weathered Iron W - White SB - Special Bronze	VNS - Very Narrow Spot NS - Narrow Spot MF - Medium Flood WF - Wide Flood	27 - 2700°K 30 - 3000°K 35 - 3500°K 40 - 4000°K 50 - 5000°K	A - 800-1200 B - 1200-1600 C - 1600-2000 1185-VNS not available with B & C lumen packages.

VOLTAGE	LENS	DIMMING	CONDUIT ENTRIES	ACCESSORIES	
MV - Multi-Volt (120V-277V)	CX - Crowned Clear AX - Anti Slip Clear	ND - No Dimming 010 - 0-10V PCT - Phase Cut TRIAC (120V only)	B34 - Bottom ¾" (standard) F34 - Front ¾" S34 - Sides ¾" A34 - All ¾" (available as an option) (Consult Factory)	TO5 - Tilt Optic 5° TO10 - Tilt Optic 10° TO15 - Tilt Optic 15° TO25 - Tilt Optic 25° DF - Diffuse Filter LSF - Linear Spread Filter	RBK - Rebar Bracket Kit STR - Stainless Trim Ring HS - Half Glare Shield YL - Yellow Lens RL - Red Lens BL - Blue Lens GL - Green Lens

LUMEN OUTPUT PACKAGES



Beam Spread	A	B	C
NS	15.9 Watts 981 Lumens	22.9 Watts 1407 Lumens	25.7 Watts 1738 Lumens
MF	16.1 Watts 997 Lumens	23.1 Watts 1431 Lumens	25.9 Watts 1766 Lumens
WF	16.1 Watts 917 Lumens	23.1 Watts 1317 Lumens	25.9 Watts 1625 Lumens

Vista Professional Outdoor Lighting reserves the right to modify the design and/or construction of the fixture shown without further notification.