

Type: _____
 Model: _____
 Project: _____

SPECIFICATION SHEET

MODEL: 1451 - 120V Series: Bollards & Beacons

FIXTURE SPECIFICATIONS:

HOUSING:

Die-cast, copper-free aluminum.

POST:

3" diameter, heavy-gauge, extruded aluminum (1/8" wall thickness).

FINISH:

Polyester powder-coat finish available in Black, Verde, Architectural Brick, Architectural Bronze, Light Bronze, Dark Bronze, Granite, Pewter, Terra-cotta, Rust, Hunter Green, Mocha, Weathered Bronze, Weathered Iron, and White.

SOCKET/LAMP HOLDER:

Top grade porcelain, medium base 4KV pulse rated socket with spring center contact and a silicone rubber jacket protector to prevent moisture/debris from entering socket.

LENS:

Clear, frosted or prismatic threaded and gasketed, tempered glass vapor globe.

LAMP TYPE:

A19- Incandescent. 75W Maximum. Lamp not included with fixture, order separately.

(See back page for LED lamp specifications)

MOUNTING:

Direct-burial post. (Post extended 12" for in-ground or concrete mounting.)

FASTENERS:

All fasteners are stainless steel.

WIRING:

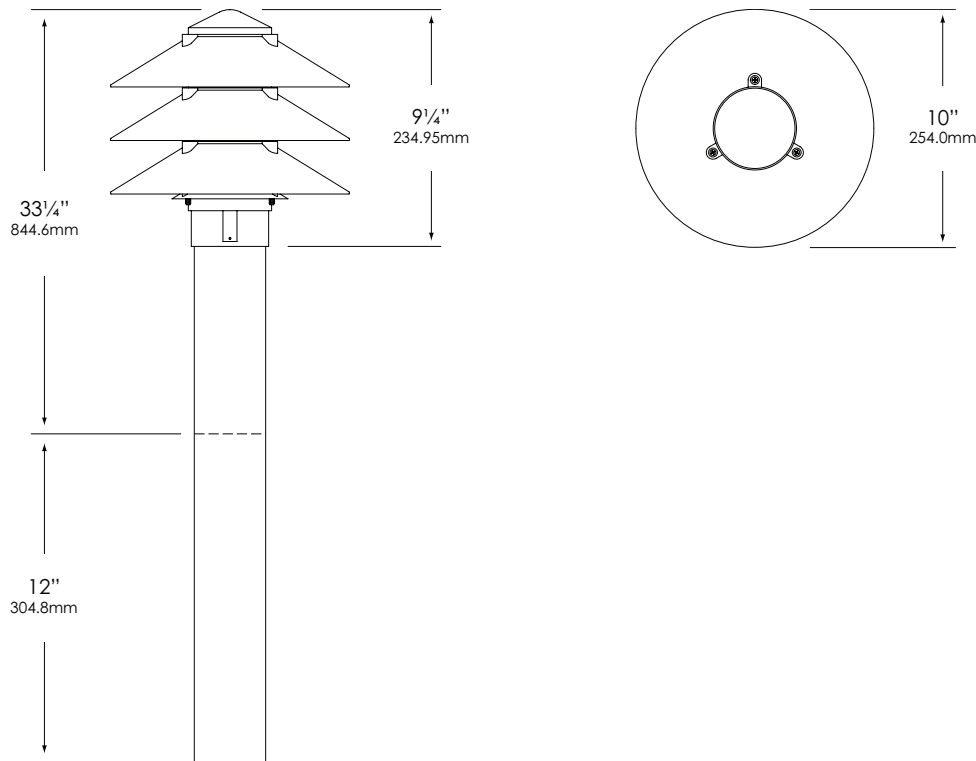
Prewired with 200°C-rated wire along with a grounded lead.

CERTIFICATION:

UL Listed to U.S. and Canadian safety standards for line voltage landscape luminaires (UL 1598). The maximum wattages allowed by Underwriters Laboratories (UL) for the U.S. and Canadian markets may vary. Maximum wattages specified are Underwriters Laboratories U.S. standard. Please contact Vista for any questions about the maximum wattages allowed by UL Canadian standards.

All Vista luminaires are **MADE IN THE U.S.A.**

DIMENSIONS:



Vista Professional Outdoor Lighting reserves the right to modify the design and/or construction of the fixture shown without further notification.



SPECIFICATION SHEET

MODEL: 1451 - 120V Series: Bollards & Beacons

LED LAMP SPECIFICATIONS (if applicable):

LAMP TYPE:

High Output LED with Vista exclusive smart-driver, powered to operate for 50,000 hours.

OPTICS:

Integral high-efficiency optics available in spot through flood beam spreads.

ELECTRICAL:

Input voltage range 6–15V AC, regulated to achieve uniform illumination throughout the cable run of fixtures. Integral surge & reverse polarity protection.

FIXTURE ORDERING INFORMATION

TO ORDER FIXTURE: Select appropriate choice from each column as in the following example

EXAMPLE: 1451-B-CR

MODEL	FINISH	LENS
1451	B - Black G - Verde BR - Architectural Brick Z - Architectural Bronze LZ - Light Bronze DZ - Dark Bronze GT - Granite P - Pewter TC - Terra-cotta R - Rust HG - Hunter Green M - Mocha WB - Weathered Bronze WI - Weathered Iron W - White	CR – Clear lens FR – Frosted lens PR – Prismatic lens

Lamp not included with fixture, order separately. For available lamps, see Lamp Guide, Vista catalog.

Vista Professional Outdoor Lighting reserves the right to modify the design and/or construction of the fixture shown without further notification.