



**PROFESSIONAL
OUTDOOR LIGHTING**

Type: _____

Model: _____

Project: _____

SPECIFICATION SHEET

MODEL 1505 Architectural Series • Step Lights • LED

FIXTURE SPECIFICATIONS:

HOUSING:

Compression-molded fiber-reinforced polymer. High-strength, heat resistant and UV stable. Molded in threaded brass inserts.

DOOR COVER:

Door cover available in choice of ten styles (see other side for fixture ordering information), all featuring a tempered glass lens.

FINISH:

Metal Door Cover: Durable powder coat finish available in Black, Architectural Bronze, Dark Bronze, Granite, White, Architectural Brick, Light Bronze, Special Bronze, Glossy Gray, Rust, Hunter Green, Weathered Bronze, Weathered Iron, Graphite Metallic, Verde, Pewter, Mocha and Olde Finish.

Glass Border: Black (Standard).

OPTICS/AIMING:

No-glare optics. Hot-aiming adjustable performance optic assembly. 30° of adjustment for precise beam control.

LAMP TYPE:

Nine high output LED emitters, powered for high efficiency. Modular performance optic package.

REFLECTOR:

Extruded aluminum, satin etched. Adjustable ±15° from preset 0° position.

ELECTRICAL:

Constant current Class 2 output driver with universal voltage input (120-277VAC) Suitable for through branch wiring. Four ½" NPT conduit entry hubs with knockout membrane standard.

DRIVER:

Integral CUL listed LED driver, either non-dimmable **ND** or dimmable. Dimming: 0-10V **010** and Phase Cut TRIAC (120V only) **PCT** options available.

MOUNTING:

Rough-in box designed for installation in concrete, brick/block, wood frame construction (non-IC) and insulated walls (IC).

FASTENERS/INSERTS:

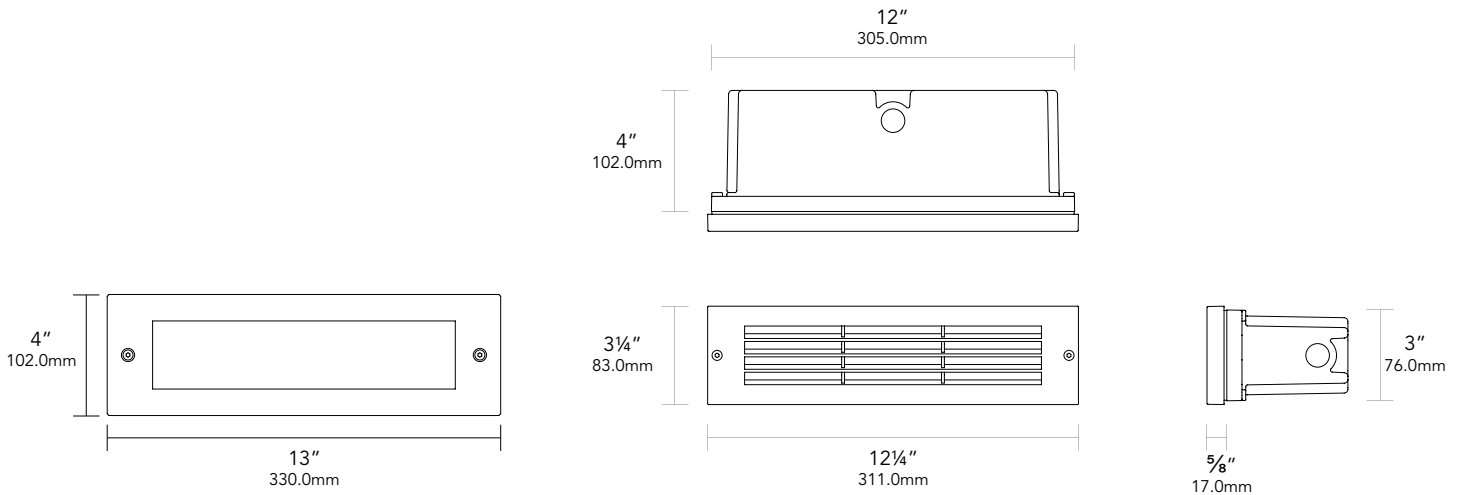
All fasteners are stainless steel.

CERTIFICATION:

UL Listed to U.S. & Canadian safety standards for line voltage landscape luminaires (UL 1598). Suitable for wet locations. *IP66*

All Vista Architectural luminaires are [MADE IN THE U.S.A.](#)

DIMENSIONS:



Vista Professional Outdoor Lighting reserves the right to modify the design and/or construction of the fixture shown without further notification.



SPECIFICATION SHEET

MODEL 1505 Architectural Series • Step Lights • LED

LAMP SPECIFICATIONS:

LED

- High output LED, powered for high efficiency
- Modular performance optic package
- 16 Watts
- 740 Deliverable Lumens

CRI

- The CRI is 81

OPTICS / AIMING

- No-glare

- Sharp cut-off
- 30° of adjustment for precise beam control

ELECTRICAL

- Constant current Class 2 output driver
- Universal voltage input (120-277VAC)
- Suitable for through branch wiring
- Four ½" NPT conduit entry hubs with knockout membrane standard
- Dimming: 0-10V 010 and Phase Cut TRIAC (120V only) PCT options available.

FIXTURE ORDERING INFORMATION

TO ORDER FIXTURE: Select appropriate choice from each column as in the following example.

EXAMPLE: 1505-AL-B-27-MV-PCT-CP-ER-1505-1

MODEL	DOOR COVER	FINISH	COLOR TEMP	VOLTAGE	DIMMING	HOUSING (Rough-in Box)	ACCESSORIES
1505	AB - Aluminum Border AL - Aluminum Louver BB - Brass Border BL2 - Brass Gradient Door BL3 - Brass Louver BW - Brass Window SW - Stainless Steel Window SB - Stainless Steel Border SL2 - Stainless Steel Gradient Door SL3 - Stainless Steel Louver GB - Glass Border	Metal Door Cover SS - Stainless Steel* BSN - Natural Brass** BSO - Olde Brass** <hr/> Standard B - Black Z - Architectural Bronze DZ - Dark Bronze GT - Granite W - White <hr/> Premium BR - Architectural Brick LZ - Light Bronze SB - Special Bronze GG - Glossy Gray R - Rust HG - Hunter Green WB - Weathered Bronze WI - Weathered Iron GM - Graphite Metallic <hr/> Hand Finished G - Verde P - Pewter M - Mocha OF - Olde Finish Glass Border Door Cover B - Black (Standard) Custom Color: (Consult Factory for Lead Time) * Stainless Steel Borders, Louvers, and Doors only. ** Brass Borders, Louvers, and Doors only.	27 - 2700°K 30 - 3000°K 35 - 3500°K 40 - 4000°K	MV - Multi Volt	ND - Non Dimming 010 - 0 -10V PCT - Phase Cut TRIAC (120V only)	CP - Composite	ER-1505-1 (1 Extension Ring) ER-1505-2 (2 Extension Rings) ER-1505-3 (3 Extension Rings) FT - Flush Tray DF1 - Diffuser Film

Vista Professional Outdoor Lighting reserves the right to modify the design and/or construction of the fixture shown without further notification.