

Type: _____
 Model: _____
 Project: _____

SPECIFICATION SHEET

MODEL: 2111 - 12V Brass & Copper Series: Up & Accent Lights

FIXTURE SPECIFICATIONS:

HOUSING:

Heavy-gauge, extruded, solid copper housing fitted to a precision CNC-machined, solid brass base. A solid copper lens-retaining flange and high temperature, color-coordinated silicone seal – provides a superior weather-tight seal.

FINISH:

Brushed natural copper and brass. (Brushed copper will rapidly age to an elegant rich bronze-like color and may develop areas of patina over time.)

SOCKET/LAMP HOLDER:

Top grade ceramic socket with nickel contacts, fixed-position design lamp mechanism with stainless steel lamp-retaining clip, and Teflon-jacketed wire leads.

LENS:

Clear, tempered, shock and heat-resistant, soda-lime glass lens. Optical effect lenses are available; see accessories column on fixture ordering information chart.

LAMP TYPE:

MR-11 Halogen – 20W maximum. LN-20 FTD (20W) Standard.

MOUNTING:

Solid brass adjustable knuckle with ½" NPT. Fixture may be mounted into threaded hubs in junction boxes, ground stakes, tree-mount boxes, or mounting canopies. Please see fixture ordering information

for mounting selection. Please see fixture ordering information for mounting selection.

FASTENERS:

All fasteners are stainless steel.

WIRING:

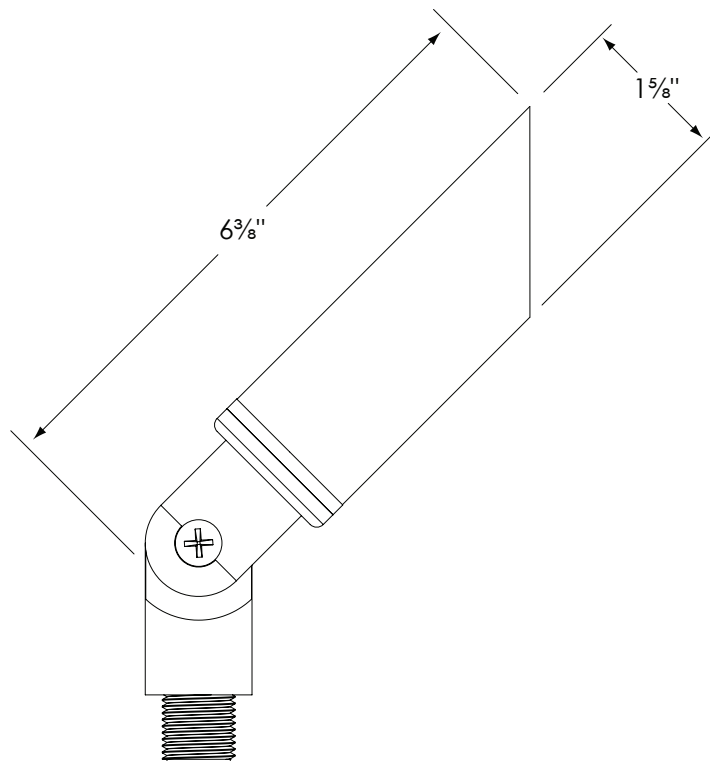
Prewired with a three-foot pigtail of 18-2 direct-burial cable and underground connectors for a secure connection to supply cable.

CERTIFICATION:

UL Listed to U.S. and Canadian safety standards for low voltage landscape luminaires (UL 1838). Maximum wattages allowed by Underwriters Laboratories (UL) for U.S. and Canadian markets may vary. Maximum wattages specified are Underwriters Laboratories U.S. standard. Please contact Vista for any questions about maximum wattages allowed by UL Canadian standards.

All Vista luminaires are **MADE IN U.S.A.**

DIMENSIONS:



Vista Professional Outdoor Lighting reserves the right to modify the design and/or construction of the fixture shown without further notification.



SPECIFICATION SHEET

MODEL: 2111 - 12V Brass & Copper Series: Up & Accent Lights

FIXTURE ORDERING INFORMATION

TO ORDER FIXTURE: Select appropriate choice from each column as in the following example

EXAMPLE: GR-2111-CSN-BAB-FR

MOUNTING	MODEL	FINISH	LAMP	ACCESSORIES
GR- ABS ground stake WB- Brass wall-mount canopy	2111	CSN - Natural Copper	(Please see lamp order code column on lamp guide, Vista product catalog)	BL- Cool Blue lens SL- Spread lens FR- Flat Frosted lens DBL- Dark Blue lens GL- Dark Green lens RL- Red lens YL- Amber lens HL- Honeycomb louver

Fixtures shipped with standard lamp, unless otherwise specified.
 Fixtures shipped with specified mounting hardware.

Vista Professional Outdoor Lighting reserves the right to modify the design and/or construction of the fixture shown without further notification.