

Type: \_\_\_\_\_  
 Model: \_\_\_\_\_  
 Project: \_\_\_\_\_

**SPECIFICATION SHEET**

**MODEL: 2138 - 12V Brass & Copper Series: Bollards & Beacons**

**FIXTURE SPECIFICATIONS:**

**HOUSING:**

Heavy-gauge, extruded, copper or stainless steel post fitted to a precision CNC-machined, solid brass cap.

**POST:**

Heavy-gauge, extruded aluminum (1/8" wall thickness).

**FINISH:**

Brushed natural copper or stainless steel and brass. (Brushed copper will rapidly age to an elegant rich bronze-like color and may develop areas of patina over time.)

**SOCKET/LAMP HOLDER:**

Top grade ceramic socket with nickel contacts, stainless steel springs, and Teflon-jacketed wire leads.

**LENS:**

Clear, machined, fiber optic quality, acrylic lens, fitted to housing with a silicone gasket to provide a superior weather-tight seal.

**LAMP TYPE:**

MR-16 Halogen – 20W maximum. LN-20 BAB (20W) Standard.

*(See back page for LED lamp specifications)*

**MOUNTING:**

PVC mounting base and non-corroding ABS ground stake included.

**FASTENERS:**

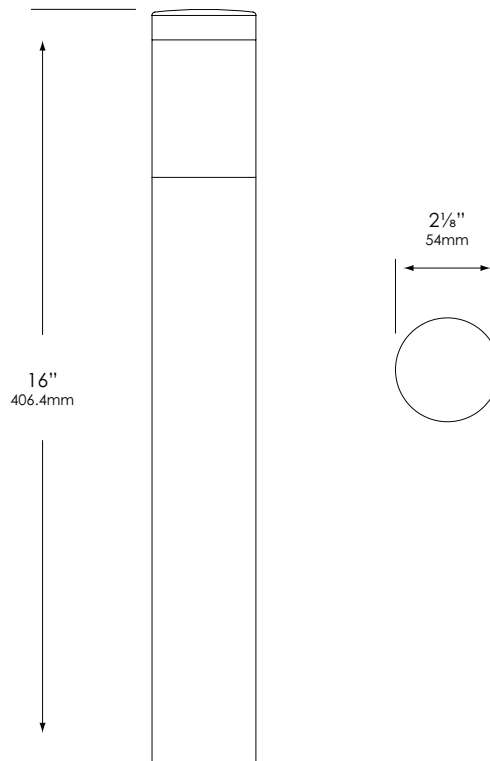
All fasteners are stainless steel.

**WIRING:**

Prewired with a three-foot pigtail of 18-2 direct-burial cable and underground connectors for a secure connection to supply cable.

All Vista luminaires are **MADE IN U.S.A.**

**DIMENSIONS:**



*Vista Professional Outdoor Lighting reserves the right to modify the design and/or construction of the fixture shown without further notification.*



# SPECIFICATION SHEET

## MODEL: 2138 - 12V Brass & Copper Series: Bollards & Beacons

### LED LAMP SPECIFICATIONS (if applicable) :

**LAMP TYPE:**

High Output LED with Vista exclusive smart-driver, powered to operate for 50,000 hours.

**OPTICS:**

Integral high-efficiency optics available in spot through flood beam spreads.

**ELECTRICAL:**

Input voltage range 6 - 15V AC, regulated to achieve uniform illumination throughout the cable run of fixtures. Integral surge & reverse polarity protection.

### FIXTURE ORDERING INFORMATION

**TO ORDER FIXTURE:** Select appropriate choice from each column as in the following example

EXAMPLE: BR-2138-CSN-BAB

MOUNTING	MODEL	FINISH	LAMP
BR- Ground & Concrete Mounting Kit	2138	CSN - Natural Copper SS - Stainless Steel	MR-16 Halogen 20W maximum LN-20 BAB (20W) Standard  LED - Group C Emitter Qty - 3 Temperature - Warm (W), Neutral (N), Cool (C) Operating voltage range - 6 to 15V.  <i>(Please see lamp order code column on lamp guide, Vista product catalog.)</i>

Fixtures shipped with standard lamp, unless otherwise specified.

Fixtures shipped with specified mounting hardware.

Vista Professional Outdoor Lighting reserves the right to modify the design and/or construction of the fixture shown without further notification.