



**VISTA
PROFESSIONAL
OUTDOOR
LIGHTING**

Type: _____

Model: _____

Project: _____

SPECIFICATION SHEET

MODEL: 2142 - Copper Series: Step & Brick Lights

SPECIFICATIONS:

HOUSING:

Stamped and formed aluminum recessed box.

COVER PLATE:

Stamped solid copper faceplate, fitted to the recessed box with UV-resistant weather stripping- providing a superior weather-tight seal.

FINISH:

Brushed natural copper. (Brushed copper will rapidly age to an elegant rich bronzelike color & may develop areas of patina over time.)

SOCKET/LAMP HOLDER:

Top grade ceramic socket with nickel contacts, stainless steel springs, & Teflon-jacketed wire leads.

LENS:

Clear, high-impact, polycarbonate lens.

LAMP TYPE:

T3 – 20W maximum. LN-10 T3 Halogen (10W) Standard.

(See back page for LED lamp specifications)

MOUNTING:

Recessed mounting box with *easy-to-align* system included.

FASTENERS:

All fasteners are stainless steel.

WIRING:

Provided with a three-foot pigtail of 18-2 SPT1 UV resistant cable & underground connectors for a secure connection to the supply cable.

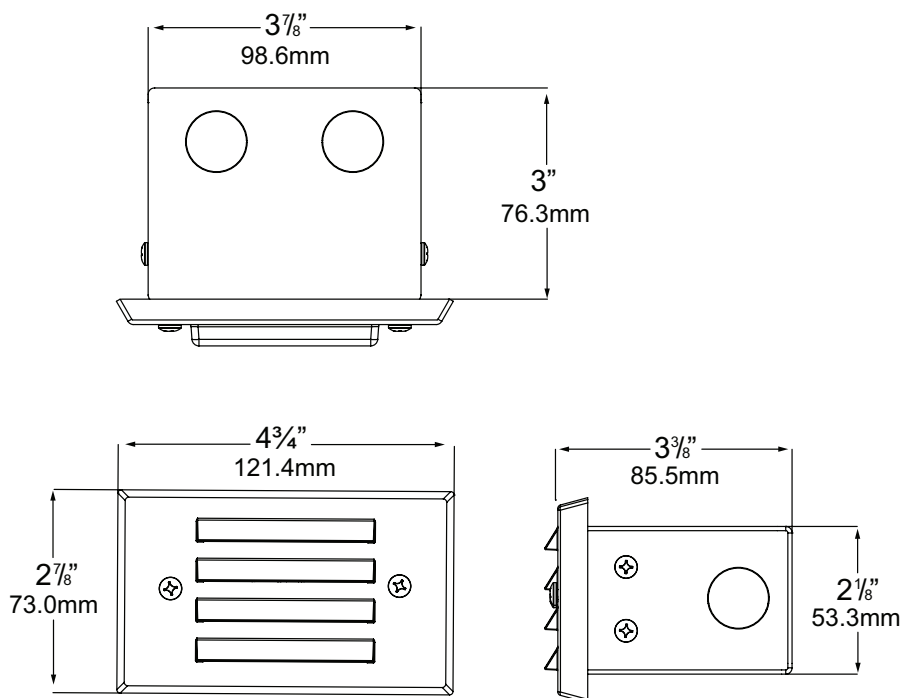
CERTIFICATION:

UL Listed to U.S. & Canadian safety standards for low voltage landscape luminaires (UL 1838). The maximum wattages allowed by Underwriters Laboratories (UL) for the U.S. & Canadian markets may vary. Maximum wattages specified are Underwriters Laboratories U.S. standard.

Please contact Vista for any questions about the maximum wattages allowed by UL Canadian standards.

All Vista luminaires are **MADE IN THE U.S.A.**

DIMENSIONS:



In an effort to improve product design U.S.T.E., Inc. reserves the right to modify the specifications of this fixture.

1625 Surveyor Avenue • Simi Valley, CA 93063 • (805) 527-0987 • (800) 766-VISTA (8478)

FAX: (888) 670-VISTA (8478) • email@vistapro.com • www.vistapro.com



LED LAMP SPECIFICATIONS (if applicable) :

LAMP TYPE:

Type 3 Luxeon High Output LED with Vista exclusive smart-driver, powered to operate for 50,000 hours.

OPTICS:

Integral high-efficiency optics available in spot through flood beam spreads.

ELECTRICAL:

Input voltage range 5–15V AC, regulated to achieve uniform illumination throughout the cable run of fixtures. Integral surge & reverse polarity protection.

FIXTURE ORDERING INFORMATION

TO ORDER FIXTURE: Select appropriate choice from each column as in the following example

EXAMPLE: SL-2142-CSN-10 T3

MOUNTING	CATALOG NO.	FINISH	LAMP
SL- Step light	2142	CSN- Natural Copper & Brass	(Please see lamp order code column on lamp guide, Vista product catalog.)

Fixtures shipped with standard lamp, unless otherwise specified.

Fixtures shipped with specified mounting hardware.