

SPECIFICATION SHEET

MODEL: 2150 - 12V Brass & Copper Series: Specialty Lights

FIXTURE SPECIFICATIONS:

HOUSING:

Heavy-gauge, extruded, solid copper or Stainless steel tubing fitted to a precision CNC-machined, solid brass base with dual silicone O-ring gaskets – providing a superior weather-tight seal.

FINISH:

Brushed natural copper or stainless steel.

SOCKET/LAMP HOLDER:

Top grade ceramic socket with nickel contacts, stainless steel springs, and Teflon-jacketed wire leads.

LENS:

Clear, tempered, shock and heat-resistant, soda-lime glass lens. Optical effect lenses are available; see accessories column on fixture ordering information chart.

LAMP TYPE:

MR-16 Halogen – 35W maximum. LN-20 BAB (20W) Standard.

(See back page for LED lamp specifications)

MOUNTING:

Solid brass loop with a six-foot stainless steel cable-hanger included.

FASTENERS:

Fasteners are stainless steel and brass.

WIRING:

Prewired with a three-foot pigtail of 18-2 SPT1 UV-resistant cable

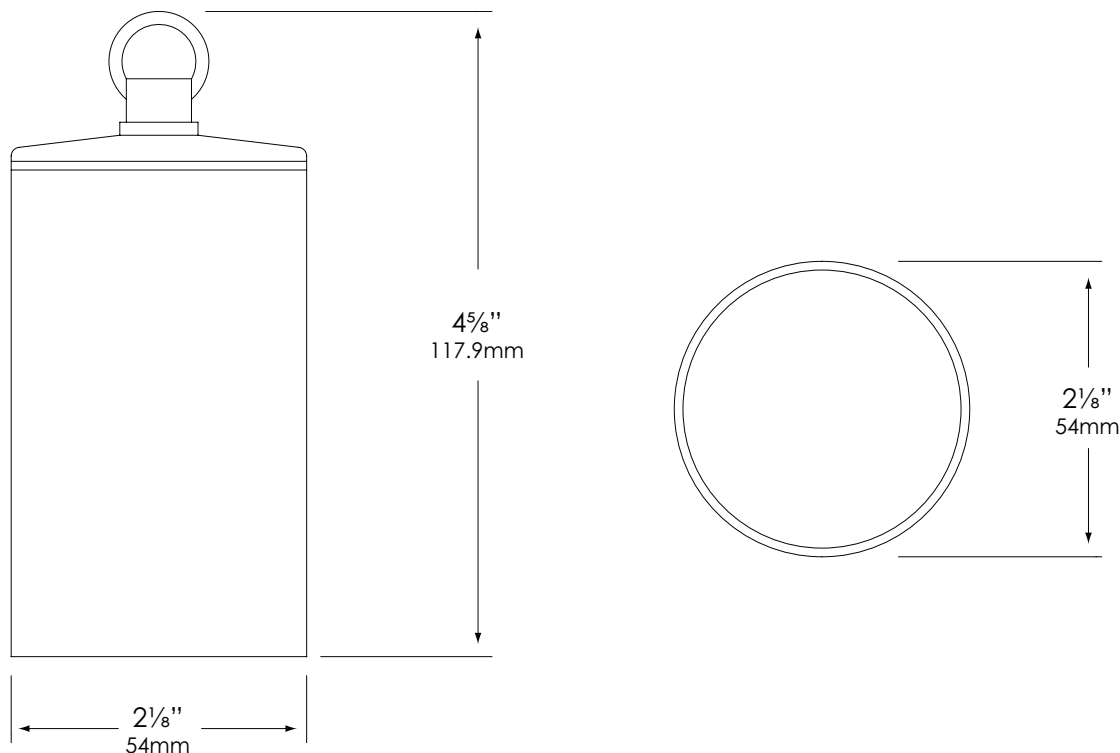
and weather-resistant connectors for a secure connection to supply cable.

CERTIFICATION:

UL Listed to U.S. and Canadian safety standards for low voltage landscape luminaires (UL 1838). Maximum wattages allowed by Underwriters Laboratories (UL) for U.S. and Canadian markets may vary. Maximum wattages specified are Underwriters Laboratories U.S. standard. Please contact Vista for any questions about maximum wattages allowed by UL Canadian standards.

All Vista luminaires are **MADE IN U.S.A.**

DIMENSIONS:



Vista Professional Outdoor Lighting reserves the right to modify the design and/or construction of the fixture shown without further notification.

SPECIFICATION SHEET

MODEL: 2150 - 12V Brass & Copper Series: Specialty Lights

LED LAMP SPECIFICATIONS (if applicable) :

LAMP TYPE:

High Output LED with Vista exclusive smart-driver, powered to operate for 50,000 hours.

OPTICS:

Integral high-efficiency optics available in spot through flood beam spreads.

ELECTRICAL:

Input voltage range 6-15V AC, regulated to achieve uniform illumination throughout the cable run of fixtures. Integral surge & reverse polarity protection.

FIXTURE ORDERING INFORMATION

TO ORDER FIXTURE: Select appropriate choice from each column as in the following example

EXAMPLE: HT-2150-CSN-BAB-BL

MOUNTING	MODEL	FINISH	LAMP / LED	ACCESSORIES
HT- Brass loop with stainless steel cable	2150	CSN - Natural copper SS - Stainless steel	MR-16 Halogen 35W maximum LN-20 BAB/FG (20W) Standard LED - Group A Emitter Qty - 3 Distribution - Spot (SP), Flood (FL) or Wide Flood (WF) Temperature - Neutral (N) Operating voltage range - 6 to 15V. (Please see lamp order code column on lamp guide, Vista product catalog.)	BL – Flat Cool Blue lens SL – Flat Spread lens FR – Flat Frosted lens CX – Convex Clear lens CFR – Convex Frosted lens DBL – Flat Dark Blue lens GL – Flat Dark Green lens RL – Flat Red lens YL – Flat Amber lens HL – Honeycomb louver

Vista Professional Outdoor Lighting reserves the right to modify the design and/or construction of the fixture shown without further notification.