

Type: \_\_\_\_\_  
 Model: \_\_\_\_\_  
 Project: \_\_\_\_\_

**SPECIFICATION SHEET**

**MODEL: 2220-LS - 12V Series: Up & Accent Lights**

**FIXTURE SPECIFICATIONS:**

**HOUSING:**

Die-cast, copper-free aluminum.

**SHROUD:**

Die-cast, copper-free aluminum fitted to housing with a silicone O-ring gasket – providing a superior weather-tight seal.

**FINISH:**

Polyester powder-coat finish available in Black, Verde, Architectural Brick, Architectural Bronze, Light Bronze, Dark Bronze, Granite, Pewter, Terra-cotta, Rust, Hunter Green, Mocha, Weathered Bronze, Weathered Iron, and White.

**SOCKET/LAMP HOLDER:**

Top grade ceramic socket with nickel contacts, stainless steel springs, and Teflon-jacketed wire leads.

**LENS:**

Clear, tempered, shock and heat-resistant, soda-lime glass lens. Optical effect lenses are available; see accessories column on fixture ordering information chart.

**LAMP TYPE:**

MR-16 Halogen – 20W maximum. LN-20 BAB (20W) Standard.

**MOUNTING:**

Injection-molded, glass-reinforced Ryton® R-4 composite adjustable knuckle with ½" NPT. Fixture may be mounted into threaded hubs in junction boxes, ground stakes, tree-mount boxes, or mounting

canopies. Please see fixture ordering information for mounting selection.

**FASTENERS:**

All fasteners are stainless steel.

**WIRING:**

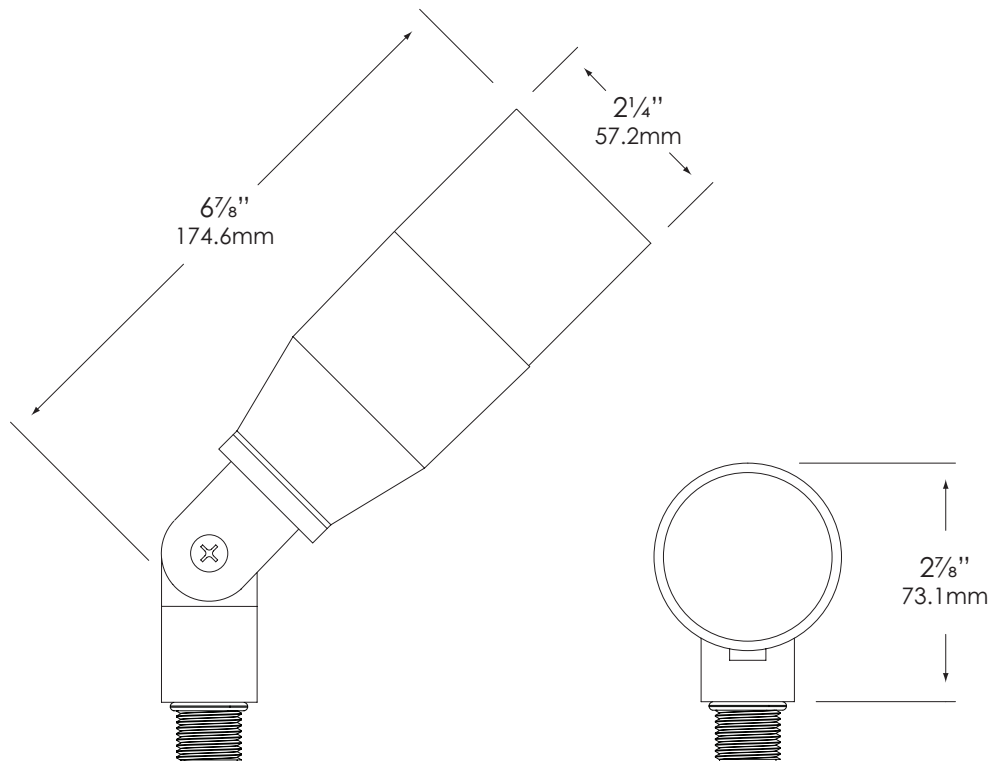
Prewired with a three-foot pigtail of 18-2 direct-burial cable and underground connectors for a secure connection to supply cable.

**CERTIFICATION:**

UL Listed to U.S. and Canadian safety standards for low voltage landscape luminaires (UL 1838). Maximum wattages allowed by Underwriters Laboratories (UL) for U.S. and Canadian markets may vary. Maximum wattages specified are Underwriters Laboratories U.S. standard. Please contact Vista for any questions about maximum wattages allowed by UL Canadian standards.

All Vista luminaires are **MADE IN U.S.A.**

**DIMENSIONS:**



Vista Professional Outdoor Lighting reserves the right to modify the design and/or construction of the fixture shown without further notification.

## SPECIFICATION SHEET

### MODEL: 2220-LS - 12V Series: Up & Accent Lights

#### FIXTURE ORDERING INFORMATION

**TO ORDER FIXTURE:** Select appropriate choice from each column as in the following example

**EXAMPLE:** GR-2220-LS-B-BAB-HL

MOUNTING	MODEL	FINISH	LAMP	ACCESSORIES
<b>GR</b> - ABS ground stake <b>WR</b> - Wall-mount canopy <b>TR</b> - Tree-mount junction box	<b>2220-LS</b>	<b>B</b> - Black <b>G</b> - Verde <b>BR</b> - Architectural Brick <b>Z</b> - Architectural Bronze <b>LZ</b> - Light Bronze <b>DZ</b> - Dark Bronze <b>GT</b> - Granite <b>P</b> - Pewter <b>TC</b> - Terra-cotta <b>R</b> - Rust <b>HG</b> - Hunter Green <b>M</b> - Mocha <b>WB</b> - Weathered Bronze <b>WI</b> - Weathered Iron <b>W</b> - White	(Please see lamp order code column on lamp guide, Vista product catalog.)	<b>BL</b> – Flat Cool Blue lens <b>SL</b> – Flat Spread lens <b>FR</b> – Flat Frosted lens <b>CX</b> – Convex Clear lens <b>CFR</b> – Convex Frosted lens <b>DBL</b> – Flat Dark Blue lens <b>GL</b> – Flat Dark Green lens <b>RL</b> – Flat Red lens <b>YL</b> – Flat Amber lens  <b>HL</b> – Honeycomb louver

Fixtures shipped with standard lamp, unless otherwise specified.

Fixtures shipped with specified mounting hardware.