

Type: \_\_\_\_\_  
 Model: \_\_\_\_\_  
 Project: \_\_\_\_\_

**SPECIFICATION SHEET**

**MODEL: 2238 - 12V Series: Specialty Lights**

**FIXTURE SPECIFICATIONS:**

**HOUSING:**

Die-cast, copper-free aluminum.

**SHROUD:**

Die-cast, copper-free aluminum fitted to housing with a silicone O-ring gasket – providing a superior weather-tight seal.

**FINISH:**

Polyester powder-coat finish available in Black, Verde, Architectural Brick, Architectural Bronze, Light Bronze, Dark Bronze, Granite, Pewter, Terra-cotta, Rust, Hunter Green, Mocha, Weathered Bronze, Weathered Iron, and White.

**SOCKET/LAMP HOLDER:**

Top grade ceramic socket with nickel contacts, stainless steel springs, & Teflon-jacketed wire leads.

**LENS:**

Clear, tempered, shock & heat-resistant, soda-lime glass lens. Optical effect lenses are available; see accessories column on fixture ordering information chart.

**LAMP TYPE:**

MR-16 Halogen – 35W maximum. LN-20 BAB (20W) Standard.

**MOUNTING:**

Solid brass loop with 6' stainless steel cable-hanger included.

**FASTENERS:**

All fasteners are stainless steel.

**WIRING:**

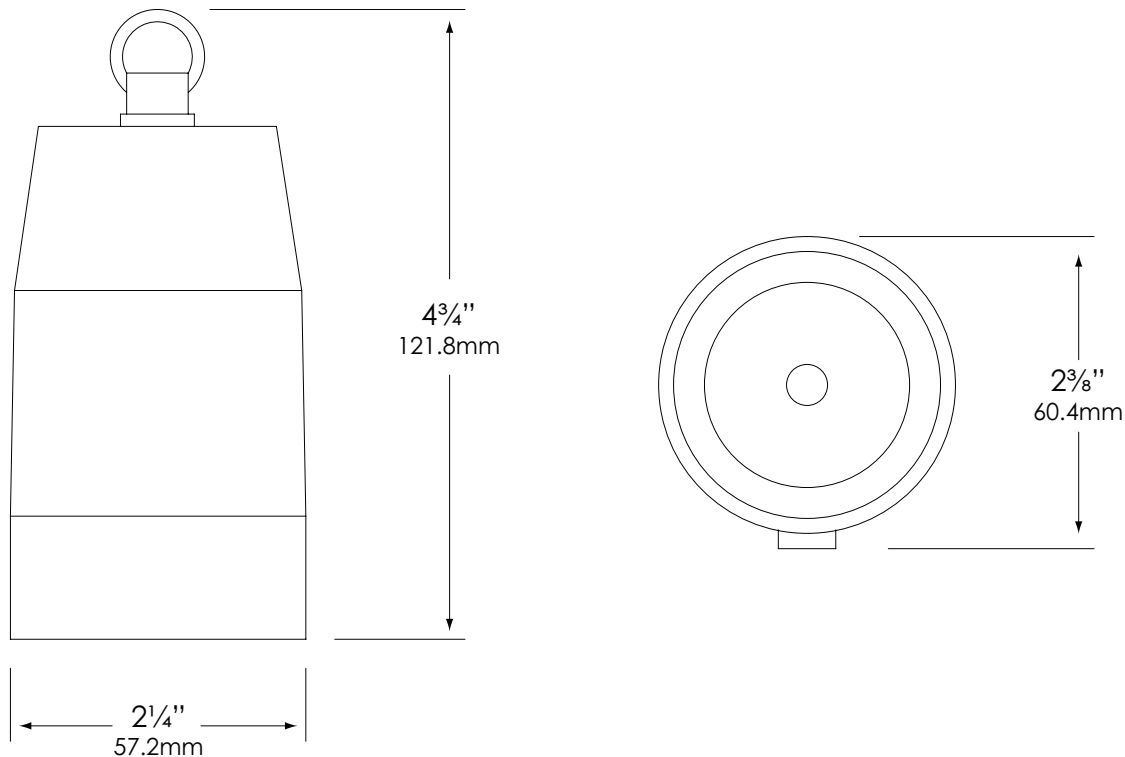
Prewired with a 3' pigtail of 18-2SPT1 UV resistant cable & underground connectors for a secure connection to supply cable.

**CERTIFICATION:**

UL Listed to U.S. & Canadian safety standards for low voltage landscape luminaires (UL 1838). Maximum wattages allowed by Underwriters Laboratories (UL) for U.S. & Canadian markets may vary. Maximum wattages specified are Underwriters Laboratories U.S. standard. Please contact Vista for any questions about maximum wattages allowed by UL Canadian standards.

All Vista luminaires are **MADE IN U.S.A.**

**DIMENSIONS:**



Vista Professional Outdoor Lighting reserves the right to modify the design and/or construction of the fixture shown without further notification.



# SPECIFICATION SHEET

## MODEL: 2238 - 12V Series: Specialty Lights

### FIXTURE ORDERING INFORMATION

**TO ORDER FIXTURE:** Select appropriate choice from each column as in the following example

**EXAMPLE:** HT-2238-B-BAB-SL

MOUNTING	MODEL	FINISH	LAMP	ACCESSORIES
HT - Brass loop with stainless steel cable	2238	<b>B</b> - Black <b>G</b> - Verde <b>BR</b> - Architectural Brick <b>Z</b> - Architectural Bronze <b>LZ</b> - Light Bronze <b>DZ</b> - Dark Bronze <b>GT</b> - Granite <b>P</b> - Pewter <b>TC</b> - Terra-cotta <b>R</b> - Rust <b>HG</b> - Hunter Green <b>M</b> - Mocha <b>WB</b> - Weathered Bronze <b>WI</b> - Weathered Iron <b>W</b> - White	MR-16 Halogen 35W Maximum LN-20 BAB (20W) Standard  <i>(Please see lamp order code column on lamp guide, Vista product catalog.)</i>	<b>BL</b> - Flat Cool Blue lens <b>SL</b> - Flat Spread lens <b>FR</b> - Flat Frosted lens <b>DBL</b> - Flat Dark Blue lens <b>GL</b> - Flat Dark Green lens <b>RL</b> - Flat Red lens <b>YL</b> - Flat Amber lens <b>HL</b> - Honeycomb louver

Fixtures shipped with standard lamp, unless otherwise specified.

*Vista Professional Outdoor Lighting reserves the right to modify the design and/or construction of the fixture shown without further notification.*