

SPECIFICATION SHEET

MODEL: 2316 - 12V Brass & Copper Series: Up & Accent Lights

FIXTURE SPECIFICATIONS:

HOUSING:

Cast solid brass.

SHROUD:

Cast, solid brass fitted to housing with dual silicone O-ring gaskets – providing a superior weather-tight seal.

FINISH:

Natural Brass or Olde Brass

SOCKET/LAMP HOLDER:

Top grade ceramic socket with nickel contacts, stainless steel springs, and Teflon-jacketed wire leads.

LENS:

Clear or frosted convex glass lens. Optical effect lenses are available; see accessories column on fixture ordering information chart.

LAMP TYPE:

MR-16 Halogen – 20W maximum. LN-20 BAB (20W) Standard.

(See back page for LED lamp specifications)

MOUNTING:

Machined solid brass adjustable knuckle with ½" NPT. Fixture may be mounted into threaded hubs in junction boxes, ground stakes, tree-mount boxes, or mounting canopies. Please see fixture ordering information for mounting selection.

FASTENERS:

All fasteners are stainless steel.

WIRING:

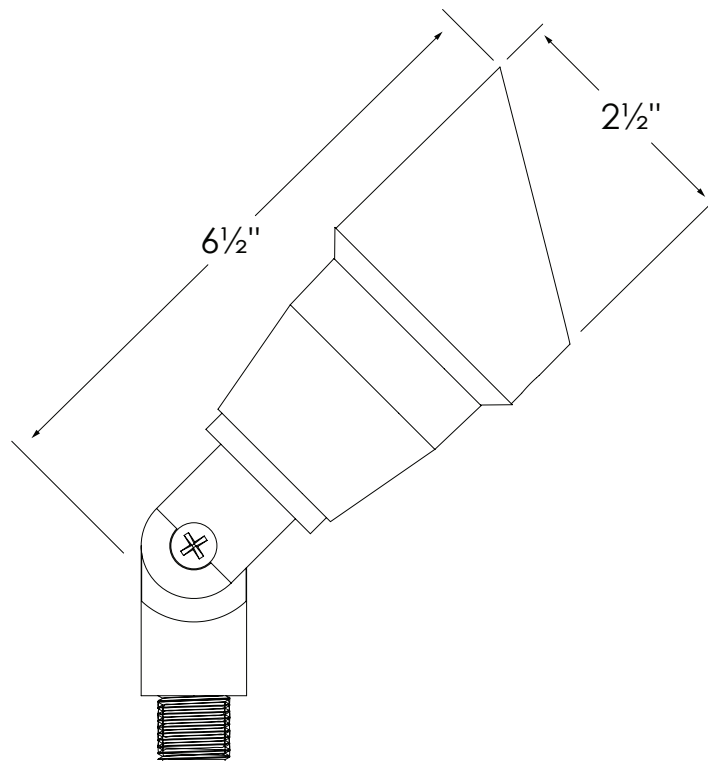
Prewired with a three-foot pigtail of 18-2 direct-burial cable and underground connectors for a secure connection to supply cable.

CERTIFICATION:

UL Listed to U.S. and Canadian safety standards for low voltage landscape luminaires (UL 1838). Maximum wattages allowed by Underwriters Laboratories (UL) for U.S. and Canadian markets may vary. Maximum wattages specified are Underwriters Laboratories U.S. standard. Please contact Vista for any questions about maximum wattages allowed by UL Canadian standards.

All Vista luminaires are **MADE IN U.S.A.**

DIMENSIONS:



Vista Professional Outdoor Lighting reserves the right to modify the design and/or construction of the fixture shown without further notification.

SPECIFICATION SHEET

MODEL: 2316 - 12V Brass & Copper Series: Up & Accent Lights

LED LAMP SPECIFICATIONS (if applicable) :

LAMP TYPE:

High Output LED with Vista exclusive smart-driver, powered to operate for 50,000 hours.

OPTICS:

Integral high-efficiency optics available in spot through flood beam spreads.

ELECTRICAL:

Input voltage range 5-15V AC, regulated to achieve uniform illumination throughout the cable run of fixtures. Integral surge & reverse polarity protection.

FIXTURE ORDERING INFORMATION

TO ORDER FIXTURE: Select appropriate choice from each column as in the following example

EXAMPLE: GR-2316-BSN-BAB-FR

MOUNTING	MODEL	FINISH	LAMP	ACCESSORIES
GR- ABS ground stake WR- Wall-mount canopy TR- Tree-mount junction box WB- Tree-mount junction box	2316	BSN - Natural Brass BSO - Olde Brass	(Please see lamp order code column on lamp guide, Vista product catalog.)	BL – Flat Cool Blue lens SL – Flat Spread lens FR – Flat Frosted lens CX – Convex Clear lens CFR – Convex Frosted lens DBL – Flat Dark Blue lens GL – Flat Dark Green lens RL – Flat Red lens YL – Flat Amber lens HL – Honeycomb louver

Fixtures shipped with standard lamp, unless otherwise specified.

Fixtures shipped with specified mounting hardware.

Vista Professional Outdoor Lighting reserves the right to modify the design and/or construction of the fixture shown without further notification.