



**VISTA
PROFESSIONAL
OUTDOOR
LIGHTING**

Type: _____

Model: _____

Project: _____

SPECIFICATION SHEET

MODEL: 4018 LED - 12V SERIES: Specialty Lights

SPECIFICATIONS:

HOUSING:

Stamped 20-gauge polished, top grade domestic, 304 stainless steel.

STEM:

Heavy gauge, adjustable, nickel plated stainless steel tubing.

FINISH:

Natural, polished stainless steel housing & aluminum base with nickel plated stem.

LENS:

Clear, high-impact, polycarbonate lens.

LAMP TYPE:

Type 3 Luxeon High Output LED with Vista exclusive smart-driver, powered to operate for 50,000 hours.

ELECTRICAL:

Input voltage range 5-15V AC, regulated to achieve uniform illumination throughout cable run of fixtures. Integral surge & reverse polarity protection.

MOUNTING:

Bottom of stem threaded into CNC-machined solid aluminum mounting canopy.

FASTENERS:

All fasteners are stainless steel.

WIRING:

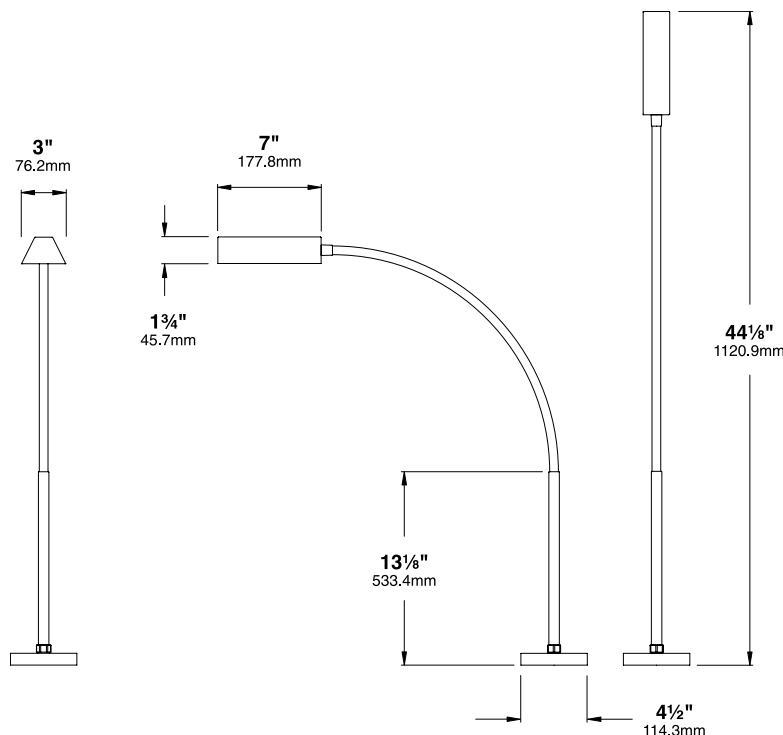
Prewired with a 3' pigtail of 18-2 direct-burial cable & underground connectors for a secure connection to the supply cable. Optional hardwired on/off switch available.

CERTIFICATION:

UL Listed to U.S. & Canadian safety standards for low voltage landscape luminaires (UL 1838). The maximum wattages allowed by Underwriters Laboratories (UL) for the U.S. & Canadian markets may vary. Maximum wattages specified are Underwriters Laboratories U.S. standard. Please contact Vista for any questions about the maximum wattages allowed by UL Canadian standards.

All Vista luminaires are **MADE IN THE U.S.A.**

DIMENSIONS:



In an effort to improve product design U.S.T.E., Inc. reserves the right to modify the specifications of this fixture.

1625 Surveyor Avenue • Simi Valley, CA 93063 • (805) 527-0987 • (800) 766-VISTA (8478)

FAX: (888) 670-VISTA (8478) • email@vistapro.com • www.vistapro.com



FIXTURE ORDERING INFORMATION

TO ORDER FIXTURE: Select appropriate choice from each column as in the following example

EXAMPLE: FL-4018-N-LC10ND-FR

MOUNTING	CATALOG NO.	FINISH	LAMP	ACCESSORIES
FL- Flexible stem with solid CNC-machined aluminum mounting base included	4018	N- Nickel plated stainless steel and aluminum.	(Please see LED order code column on LED lamp guide, Vista product catalog, page 142.)	FR- Flat Frosted lens

Fixtures shipped with standard lamp, unless otherwise specified.
Fixtures shipped with specified mounting hardware.