

Type: _____
 Model: _____
 Project: _____

SPECIFICATION SHEET

MODEL: 4217 - 12V Series: Specialty Lights

FIXTURE SPECIFICATIONS:

HOUSING:

Injection-molded Noryl polymer.

LENS COVER:

Injection molded, polycarbonate lens fitted to housing with a silicone O-ring gasket – providing a superior water-tight seal.

FINISH:

Available in black only.

SOCKET/LAMP HOLDER:

Top grade ceramic socket with nickel contacts, stainless steel springs, and Teflon-jacketed wire leads.

LENS:

Clear, prismatic spread lens with removable mirror-finish reflector to block up light and provide wider horizontal spread. Optical effect lenses are available; see accessories column on fixture ordering information chart.

LAMP TYPE:

T3 – 20W maximum. LN-10 T3 Halogen (10W) Standard.

(See back page for LED lamp specifications)

MOUNTING:

Internally weighted base for stable placement underwater.

FASTENERS:

All fasteners are stainless steel.

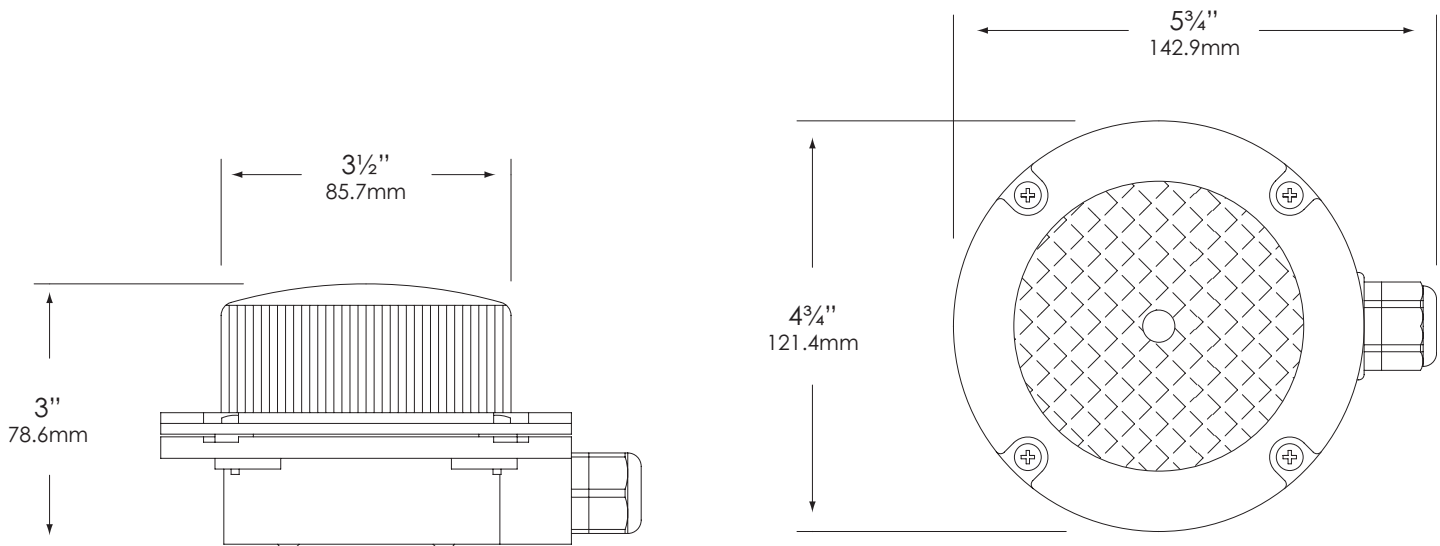
WIRING:

Prewired with a fifteen-foot pigtail of 18-3 double jacketed, water-resistant cable including a green ground wire in accordance with Underwriters Laboratories (UL) standards. Connectors for a required above-water connection are also included.

All Vista luminaires are **MADE IN U.S.A.**

Caution: Follow installation instructions as well as local electrical codes when installing underwater fixtures. Underwater fixtures are **NOT** for use in swimming pools or spas.

DIMENSIONS:



Vista Professional Outdoor Lighting reserves the right to modify the design and/or construction of the fixture shown without further notification.



SPECIFICATION SHEET

MODEL: 4217 - 12V Series: Specialty Lights

LED LAMP SPECIFICATIONS (if applicable) :

LAMP TYPE:

High Output LED with Vista exclusive smart-driver, powered to operate for 50,000 hours.

OPTICS:

Integral high-efficiency optics available in spot through flood beam spreads.

ELECTRICAL:

Input voltage range 6-15V AC, regulated to achieve uniform illumination throughout the cable run of fixtures. Integral surge & reverse polarity protection.

FIXTURE ORDERING INFORMATION

TO ORDER FIXTURE: Select appropriate choice from each column as in the following example

EXAMPLE: UW-4217-B-T3 10-RL

MOUNTING	MODEL	FINISH	LAMP	ACCESSORIES
UW - Underwater	4217	B - Black	T3 Halogen 20W Maximum LN-10 T3 Halogen (10W) Standard LED - Group B Emitter Qty - 1 Temperature - Neutral (N), Warm (W) Operating voltage range - 6 to 15V. <i>(Please see lamp order code column on lamp guide, Vista product catalog.)</i>	DBL - Dark Blue lens GL - Dark Green lens RL - Red lens YL - Amber lens

Fixtures shipped with standard lamp, unless otherwise specified.
 Note: Underwater fixtures NOT for use in swimming pools or spas.

Vista Professional Outdoor Lighting reserves the right to modify the design and/or construction of the fixture shown without further notification.