



**VISTA  
PROFESSIONAL  
OUTDOOR  
LIGHTING**

Type: \_\_\_\_\_

Model: \_\_\_\_\_

Project: \_\_\_\_\_

## SPECIFICATION SHEET

### MODEL: 4243 - 12V SERIES: Step & Brick Lights

#### SPECIFICATIONS:

**HOUSING:**

Die-cast, copper-free, aluminum housing.

**FINISH:**

Polyester powder-coated finish available in Black, Verde, Architectural Brick, Architectural Bronze, Granite, Pewter, Terracotta, Rust, Hunter Green, Mocha, Weathered Bronze, Weathered Iron, & White.

**SOCKET/LAMP HOLDER:**

Top grade ceramic socket with nickel contacts, stainless steel springs, & Teflon-jacketed wire leads.

**LENS:**

Frosted, tempered, shock & heat-resistant soda-lime glass lens.

**LAMP TYPE:**

T3 – 20W maximum. LN-10 T3 Halogen (10W) Standard.

**MOUNTING:**

Surface mounting plate included, no recessed box required.

*(See back page for LED lamp specifications)*

**FASTENERS:**

All fasteners are stainless steel.

**WIRING:**

Provided with a 3' pigtail of 18-2 SPT1 UV resistant cable &

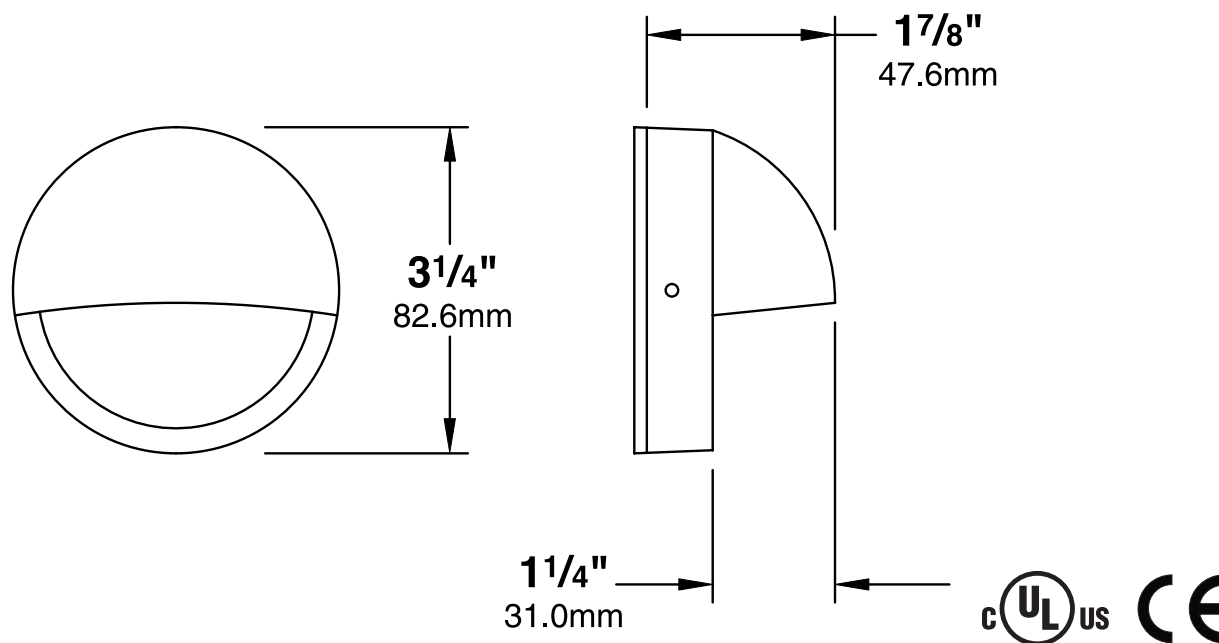
underground connectors for a secure connection to the supply cable.

**CERTIFICATION:**

UL Listed to U.S. & Canadian safety standards for low voltage landscape luminaires (UL 1838). The maximum wattages allowed by Underwriters Laboratories (UL) for the U.S. & Canadian markets may vary. Maximum wattages specified are Underwriters Laboratories U.S. standard. Please contact Vista for any questions about the maximum wattages allowed by UL Canadian standards.

All Vista luminaires are **MADE IN THE U.S.A.**

#### DIMENSIONS:



In an effort to improve product design U.S.T.E., Inc. reserves the right to modify the specifications of this fixture.

1625 Surveyor Avenue • Simi Valley, CA 93063 • (805) 527-0987 • (800) 766-VISTA (8478)

FAX: (888) 670-VISTA (8478) • email@vistapro.com • www.vistapro.com



**LED LAMP SPECIFICATIONS** (if applicable) :

**LAMP TYPE:**

Type 3 Luxeon High Output LED with Vista exclusive smart-driver, powered to operate for 50,000 hours.

**OPTICS:**

Integral high-efficiency optics available in spot through flood beam spreads.

**ELECTRICAL:**

Input voltage range 5-15V AC, regulated to achieve uniform illumination throughout the cable run of fixtures. Integral surge & reverse polarity protection.

**FIXTURE ORDERING INFORMATION**

**TO ORDER FIXTURE:** Select appropriate choice from each column as in the following example

EXAMPLE: SL-4243-B-10 T3

MOUNTING	CATALOG NO.	FINISH	LAMP
SL- Step light	<b>4243</b>	<b>B-</b> Black <b>G-</b> Verde <b>BR-</b> Architectural Brick <b>Z-</b> Architectural Bronze <b>GT-</b> Granite <b>P-</b> Pewter <b>TC-</b> Terracotta <b>R-</b> Rust <b>HG-</b> Hunter Green <b>M-</b> Mocha <b>WB-</b> Weathered Bronze <b>WI-</b> Weathered Iron <b>W-</b> White	(Please see lamp order code column on lamp guide, Vista product catalog.)

Fixtures shipped with standard lamp, unless otherwise specified.  
 Fixtures shipped with specified mounting hardware.