

Type: _____
 Model: _____
 Project: _____

SPECIFICATION SHEET

MODEL: 4246 - 12V SERIES: Step & Brick Lights

FIXTURE SPECIFICATIONS:

HOUSING:

Copper free, stamped & formed aluminum recessed box with 1/2" knockouts on the back & side.

COVER PLATE:

Die-cast, copper-free, aluminum fitted to the recessed box with UV-resistant weather stripping— providing a superior weather-tight seal.

FINISH:

Polyester powder-coated finish available in Black, Architectural Brick, Architectural Bronze, Light Bronze, Dark Bronze, Granite, Terracotta, Rust, Hunter Green, Weathered Bronze, Weathered Iron, White, Verde, Pewter, and Mocha.

SOCKET/LAMP HOLDER:

Top grade ceramic socket with nickel contacts, stainless steel springs, & Teflon-jacketed wire leads.

LENS:

Clear, high impact, polycarbonate lens.

LAMP TYPE:

T3 (x 2) – 20W maximum. LN-10 T3 Halogen (10W) Standard.

(See back page for LED lamp specifications)

MOUNTING:

Recessed mounting box included.

FASTENERS:

All fasteners are stainless steel.

WIRING:

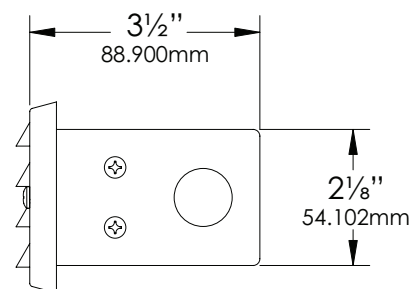
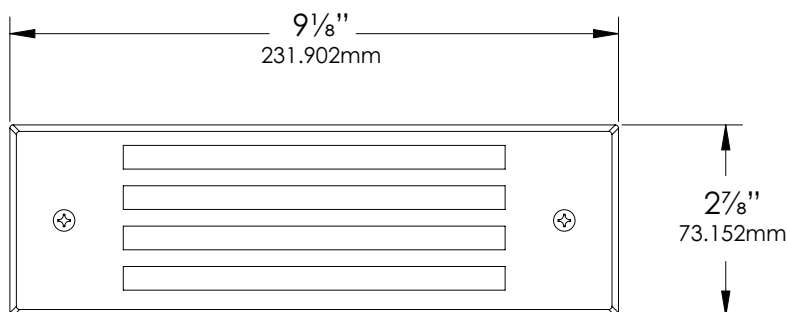
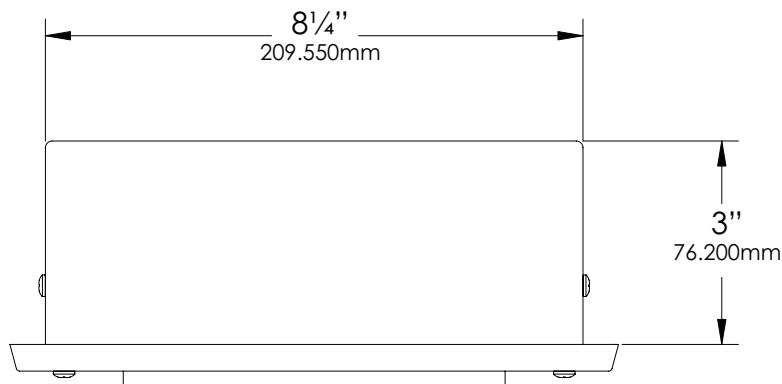
Provided with a three-foot pigtail of 18-2 SPT1 UV resistant cable & underground connectors for a secure connection to the supply cable.

CERTIFICATION:

UL listed to U.S. & Canadian safety standards for low voltage landscape luminaires (UL 1838). The maximum wattages allowed by Underwriters Laboratories (UL) for the U.S. & Canadian markets may vary. Maximum wattages specified are Underwriters Laboratories U.S. standard. Please contact Vista for any questions about the maximum wattages allowed by UL Canadian standards.

All Vista luminaires are **MADE IN THE U.S.A.**

DIMENSIONS:



Vista Professional Outdoor Lighting reserves the right to modify the design and/or construction of the fixture shown without further notification.

SPECIFICATION SHEET

LED LAMP SPECIFICATIONS (if applicable) :

LAMP TYPE:

High Output LED with Vista exclusive smart-driver, powered to operate for 50,000 hours.

ELECTRICAL:

Input voltage range 5–15V AC or 12V DC, regulated to achieve uniform illumination throughout the cable run of fixtures. Integral surge & reverse polarity protection.

FIXTURE ORDERING INFORMATION

TO ORDER FIXTURE: Select appropriate choice from each column as in the following example

EXAMPLE: SL-4246-B-10 T3

MOUNTING	CATALOG NO.	FINISH	LAMP
SL- Step light	4246	B - Black BR - Architectural Brick Z - Architectural Bronze LZ - Light Bronze DZ - Dark Bronze GT - Granite TC - Terracotta R - Rust HG - Hunter Green WB - Weathered Bronze WI - Weathered Iron W - White G - Verde P - Pewter M - Mocha	(Please see lamp order code column on lamp guide, Vista product catalog.)

Fixtures shipped with standard lamp, unless otherwise specified.

Fixtures shipped with specified mounting hardware.