



**VISTA
PROFESSIONAL
OUTDOOR
LIGHTING**

Type: _____

Model: _____

Project: _____

SPECIFICATION SHEET

MODEL: 5217 - 12V SERIES: Specialty Lights

SPECIFICATIONS:

HOUSING:

Injection-molded, glass-reinforced Ryton™ R-4 composite for strength & high UV stability – warranted for ten years against corrosion.

LENS COVER:

Clear, tempered, shock & heat resistant, soda lime glass lens - crowned (convex) to avoid collection of underwater debris on lens. Optical effect lenses are available, please see accessories column on fixture ordering information.

FINISH:

Available in black only.

SOCKET/LAMP HOLDER:

Top grade ceramic socket with nickel contacts, stainless steel springs, & Teflon-jacketed wire leads.

LENS:

Clear, tempered, shock & heat resistant, soda lime glass lens - crowned (convex) to avoid collection of underwater debris on lens. Optical effect lenses are available; see accessories column on fixture ordering information chart.

LAMP TYPE:

MR-16 Halogen – 50W maximum. LN-20 BAB/FG (20W) Standard.

(See back page for LED lamp specifications)

MOUNTING:

Fully adjustable mounting bracket, to provide precise light aiming, mounted on a cement counter weight base for stable placement underwater.

FASTENERS:

All fasteners are stainless steel.

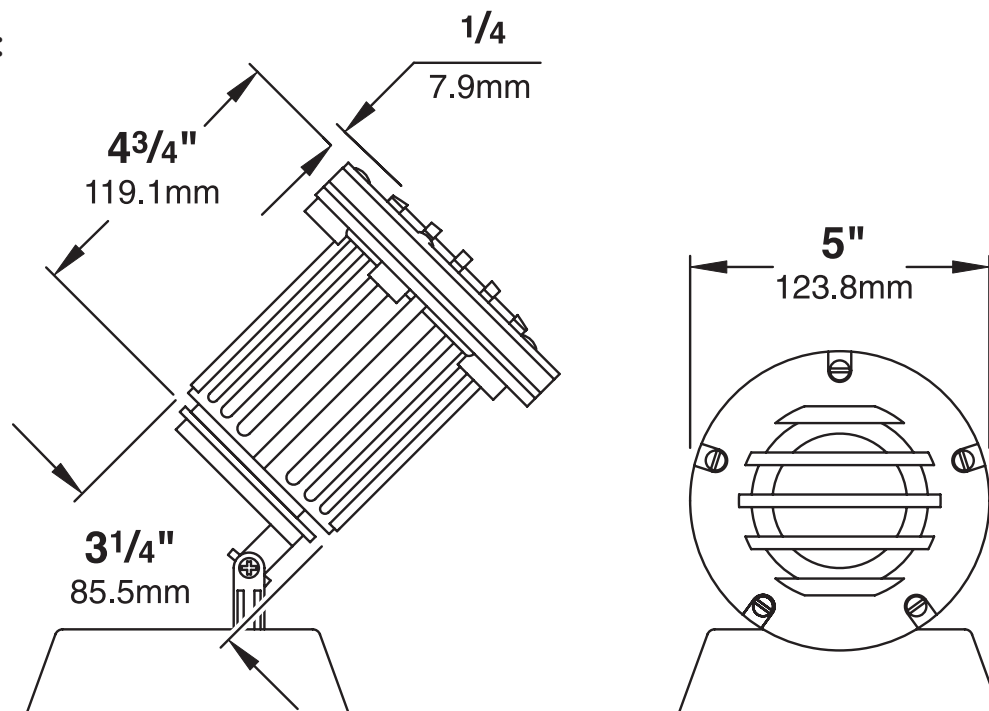
WIRING:

Prewired with a fifteen-foot pigtail of 18-3 double jacketed, water-resistant cable including a green ground wire in accordance with Underwriters Laboratories (UL) standards. Connectors for a required above-water connection are also included.

All Vista luminaires are **MADE IN THE U.S.A.**

Caution: Follow installation instructions as well as local electrical codes when installing underwater fixtures. Underwater fixtures are **NOT** for use in swimming pools or spas.

DIMENSIONS:



In an effort to improve product design U.S.T.E., Inc. reserves the right to modify the specifications of this fixture.



LED LAMP SPECIFICATIONS (if applicable) :

LAMP TYPE:

Lumiled Rebel High Output LED with Vista exclusive smart-driver, powered to operate for 50,000 hours.

OPTICS:

Integral high-efficiency optics available in spot through flood beam spreads.

ELECTRICAL:

Input voltage range 5–15V AC, regulated to achieve uniform illumination throughout the cable run of fixtures. Integral surge & reverse polarity protection.

FIXTURE ORDERING INFORMATION

TO ORDER FIXTURE: Select appropriate choice from each column as in the following example

EXAMPLE: UW-5217-B-BAB/FG-RL

MOUNTING	CATALOG NO.	FINISH	LAMP	ACCESSORIES
UW- Underwater	5217	B- Black	(Please see lamp order code column on lamp guide, Vista product catalog.)	CBL- Crowned Cool Blue lens CFR- Crowned Frosted lens SL- Spread lens DBL- Dark Blue lens GL- Dark Green lens RL- Red lens YL- Amber lens HL- Honeycomb louver

Fixtures shipped with standard lamp, unless otherwise specified.

Note: Underwater fixtures **NOT** for use in swimming pools or spas.