



**VISTA  
PROFESSIONAL  
OUTDOOR  
LIGHTING**

Type: \_\_\_\_\_

Model: \_\_\_\_\_

Project: \_\_\_\_\_

## SPECIFICATION SHEET

### MODEL: 5232 - 12V SERIES: Step & Brick Lights

#### SPECIFICATIONS:

**HOUSING:**

Die-cast, copper-free aluminum. The cover plate is fitted to the recessed box with a silicone o-ring gasket – providing a superior weather-tight seal.

**FINISH:**

Polyester powder-coated finish available in Black, Verde, Architectural Brick, Architectural Bronze, Light Bronze, Dark Bronze, Granite, Pewter, Terracotta, Rust, Hunter Green, Mocha, Weathered Bronze, Weathered Iron, & White.

**SOCKET/LAMP HOLDER:**

Top grade ceramic socket with nickel contacts, stainless steel springs, & Teflon-jacketed wire leads.

**LENS:**

Frosted, tempered, shock & heat-resistant, soda lime glass lens.

**LAMP TYPE:**

MR16 – 35W maximum. LN-20 BAB/FG (20W) Standard.

*(See back page for LED lamp specifications)*

**MOUNTING:**

Recessed mounting box has two ½" NPT inlets.

**FASTENERS/INSERTS:**

All fasteners are stainless steel.

**WIRING:**

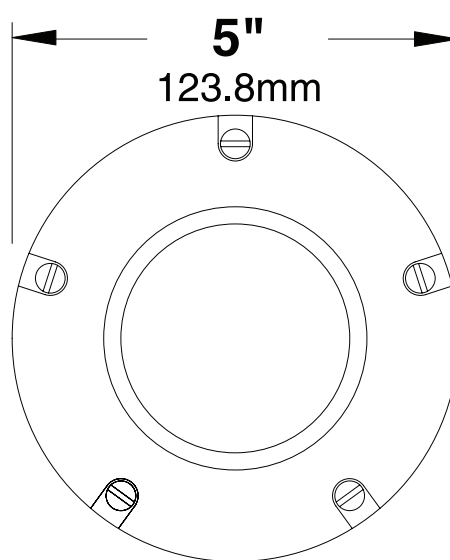
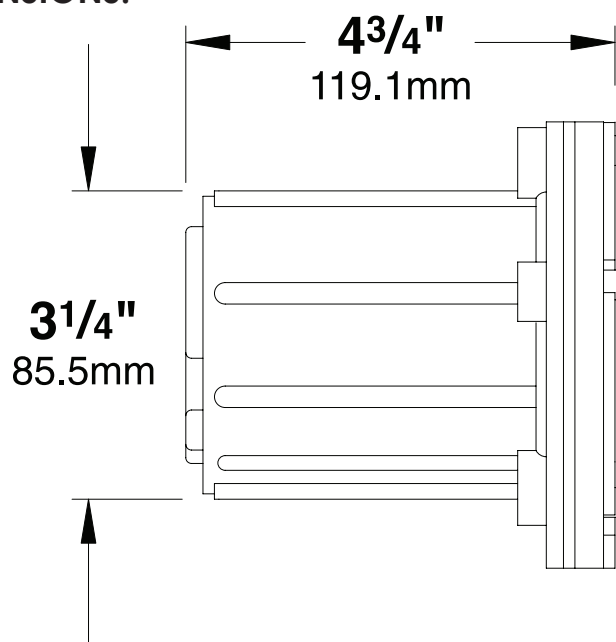
Provided with a three-foot pigtail of 18-2 direct-burial cable &

underground connectors for a secure connection to the supply cable.

**CERTIFICATION:**

UL Listed to U.S. & Canadian safety standards for low voltage landscape luminaires (UL 1838). The maximum wattages allowed by Underwriters Laboratories (UL) for the U.S. & Canadian markets may vary. Maximum wattages specified are Underwriters Laboratories U.S. standard. Please contact Vista for any questions about the maximum wattages allowed by UL Canadian standards. All Vista luminaires are **MADE IN THE U.S.A.**

#### DIMENSIONS:



In an effort to improve product design U.S.T.E., Inc. reserves the right to modify the specifications of this fixture.



**LED LAMP SPECIFICATIONS** (if applicable) :

**LAMP TYPE:**

Lumiled Rebel High Output LED with Vista exclusive smart-driver, powered to operate for 50,000 hours.

**OPTICS:**

Integral high-efficiency optics available in spot through flood beam spreads.

**ELECTRICAL:**

Input voltage range 6–15V AC, regulated to achieve uniform illumination throughout the cable run of fixtures. Integral surge & reverse polarity protection.

**FIXTURE ORDERING INFORMATION**

**TO ORDER FIXTURE:** Select appropriate choice from each column as in the following example

**EXAMPLE:** SL-5232-B-BAB-BL

MOUNTING	MODEL	FINISH	LAMP	ACCESSORIES
SL- Step light	<b>5232</b>	<b>B-</b> Black <b>G-</b> Verde <b>BR-</b> Architectural Brick <b>Z-</b> Architectural Bronze <b>LZ-</b> Light Bronze <b>DZ-</b> Dark Bronze <b>GT-</b> Granite <b>P-</b> Pewter <b>TC-</b> Terra-cotta <b>R-</b> Rust <b>HG-</b> Hunter Green <b>M-</b> Mocha <b>WB-</b> Weathered Bronze <b>WI-</b> Weathered Iron <b>W-</b> White	(Please see lamp order code column on lamp guide, Vista product catalog.)	<b>BL-</b> Flat Cool Blue lens <b>SL-</b> Flat Spread lens <b>DBL-</b> Flat Dark Blue lens <b>GL-</b> Flat Dark Green lens <b>RL-</b> Flat Red lens <b>YL-</b> Flat Amber lens  <b>HL-</b> Honeycomb louver

Fixtures shipped with standard lamp, unless otherwise specified.