

Type: _____
 Model: _____
 Project: _____

SPECIFICATION SHEET

MODEL: 5242 - 12V Series: In-Ground & Well Lights

FIXTURE SPECIFICATIONS:

HOUSING:

Black silicone rubber lamp holder suspended inside a 5" black ABS well.

FINISH:

Available in Black only.

SOCKET/LAMP HOLDER:

Socket not required. Fixture supplied with high-temperature rated screw terminal spade connectors.

LENS:

Lens cover ordered separately, but not required.

LAMP TYPE:

PAR-36 – 50W maximum. LN-7558 (20W) Standard.

OPTICS/AIMING:

Adjustable lamp bracket provides up to ±25° of tilt as well as 360° rotation of housing for precise beam control. Lamp bracket can be locked into place to prevent disrupting lamp position when relamping. Models with housing brackets within ABS wells provide up to ±45° of tilt in addition to lamp bracket.

MOUNTING:

In-grade. Mounting accessories not required.

FASTENERS:

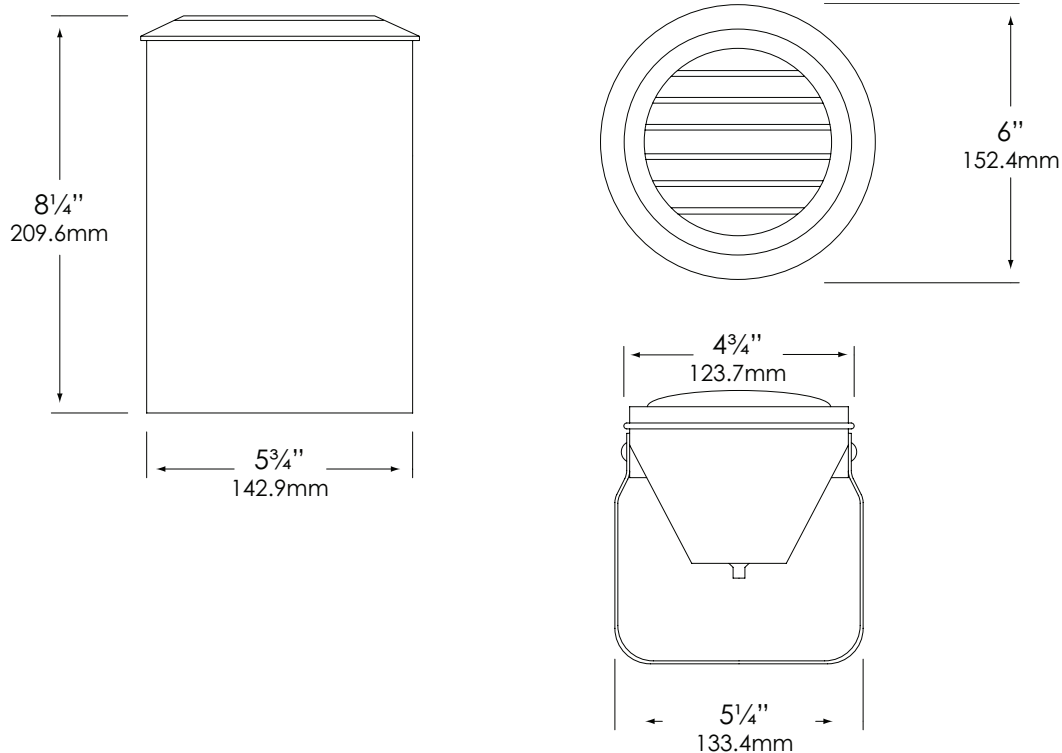
All fasteners are stainless steel.

WIRING:

Prewired with a three-foot pigtail of 18-2 direct-burial cable and underground connectors for a secure connection to supply cable.

All Vista luminaires are **MADE IN U.S.A.**

DIMENSIONS:



Vista Professional Outdoor Lighting reserves the right to modify the design and/or construction of the fixture shown without further notification.



SPECIFICATION SHEET

MODEL: 5242 - 12V Series: In-Ground & Well Lights

FIXTURE ORDERING INFORMATION

TO ORDER FIXTURE: Select appropriate choice from each column as in the following example

EXAMPLE: GW-5242-B-7558-DL

MOUNTING	MODEL	FINISH	LAMP	ACCESSORIES
GW - In-grade	5242	B - Black	(Please see lamp order code column on lamp guide, Vista product catalog.)	CBL - Clear tempered lens cover DL - Directional Grate cover BD - Bidirectional Grate cover

Fixtures shipped with standard lamp, unless otherwise specified.

Vista Professional Outdoor Lighting reserves the right to modify the design and/or construction of the fixture shown without further notification.