

Type: _____
 Model: _____
 Project: _____

SPECIFICATION SHEET

MODEL: 5290 - 12V Series: In-Ground & Well Lights

FIXTURE SPECIFICATIONS:

HOUSING:

Injection-molded, glass-reinforced Ryton® R-4 composite for strength & high UV stability – warranted for ten years against corrosion.

LENS COVER:

Injection-molded, glass-reinforced Ryton® R-4 composite fitted to housing with dual black silicone rubber gaskets – providing a superior weather-tight seal.

FINISH:

Polyester powder-coat finish available in Black, Verde, Architectural Brick, Light Bronze, Dark Bronze, Granite, Pewter, Terra-cotta, Rust, Hunter Green, Mocha, Weathered Bronze, Weathered Iron, and White.

SOCKET/LAMP HOLDER:

Top grade ceramic socket with nickel contacts, stainless steel springs, & Teflon-jacketed wire leads.

LENS:

Clear, tempered, shock & heat-resistant, soda-lime glass lens-crowned (convex) to promote water runoff. Optical effect lenses are available; see accessories column on fixture ordering information chart.

LAMP TYPE:

MR-16 Halogen – 50W maximum. LN-20 BAB/FG (20W) Standard.
 (See back page for LED lamp specifications)

OPTICS/AIMING:

Adjustable lamp bracket provides up to ±45° of tilt as well as 360° of rotation & 1½" of vertical adjustment for precise beam control. Lamp bracket can be locked into place to prevent disrupting lamp position when relamping.

MOUNTING:

In-grade. Conduit mount fixtures have two ¼" NPT inlets on bottom. Optional concrete mounting kit available; please see accessories column on fixture ordering information chart.

FASTENERS/INSERTS:

All fasteners are stainless steel with brass inserts.

WIRING:

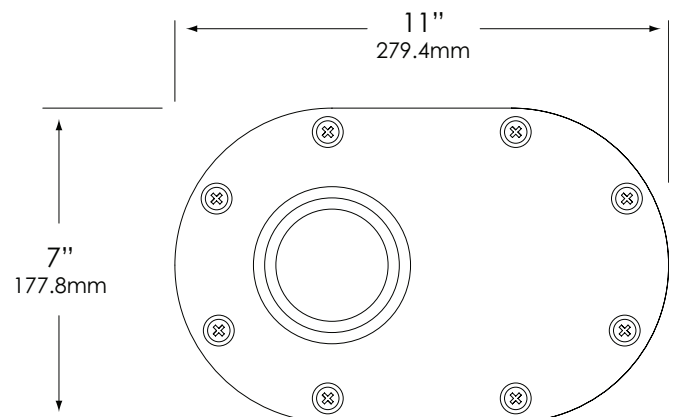
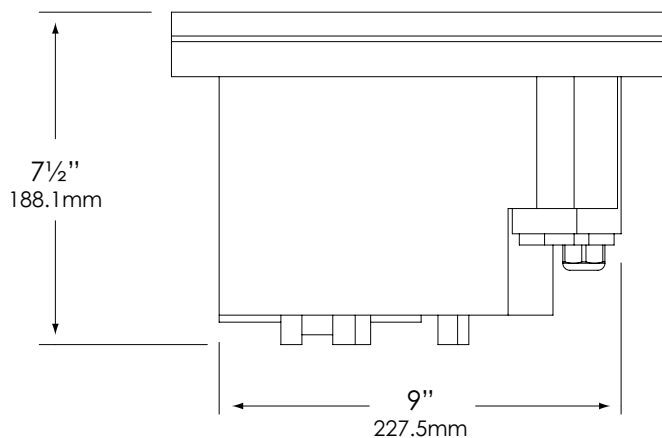
Prewired with a three-foot pigtail of 18-2 direct-burial cable & underground connectors for a secure connection to supply cable.

CERTIFICATION:

UL listed to U.S. & Canadian safety standards for low voltage landscape luminaires (UL 1838). Maximum wattages allowed by Underwriters Laboratories (UL) for U.S. & Canadian markets may vary. Maximum wattages specified are Underwriters Laboratories U.S. standard. Please contact Vista for any questions about maximum wattages allowed by UL Canadian standards.

All Vista luminaires are **MADE IN U.S.A.**

DIMENSIONS:



Vista Professional Outdoor Lighting reserves the right to modify the design and/or construction of the fixture shown without further notification.

SPECIFICATION SHEET

MODEL: 5290 - 12V SERIES: In-Ground & Well Lights

LED LAMP SPECIFICATIONS (if applicable) :

LAMP TYPE:

High Output LED with Vista exclusive smart-driver, powered to operate for 50,000 hours.

OPTICS:

Integral high-efficiency optics available in spot through flood beam spreads.

ELECTRICAL:

Input voltage range 5-15V AC, regulated to achieve uniform illumination throughout the cable run of fixtures. Integral surge & reverse polarity protection.

FIXTURE ORDERING INFORMATION

TO ORDER FIXTURE: Select appropriate choice from each column as in the following example

EXAMPLE: GW-5290-B-BAB-HL

MOUNTING	MODEL	FINISH	LAMP	ACCESSORIES
GW- In-grade CM- In-grade conduit mount	5290	B- Black G- Verde BR- Architectural Brick LZ - Light Bronze DZ - Dark Bronze GT- Granite P- Pewter TC- Terra-cotta R- Rust HG- Hunter Green M- Mocha WB- Weathered Bronze WI- Weathered Iron W- White	MR-16 Halogen 50W maximum LN-20 BAB/FG (20W) Standard LED - Group A Emitter Qty - 3 Distribution - Spot (SP), Flood (FL) or Wide Flood (WF) Temperature - Neutral (N) Operating voltage range - 6 to 15V. <i>(Please see lamp order code column on lamp guide, Vista product catalog.)</i>	CBL- Crowned Cool Blue lens CFR- Crowned Frosted lens SL- Flat Spread lens DBL- Flat Dark Blue lens GL- Flat Dark Green lens RL- Flat Red lens YL- Flat Amber lens HL- Honeycomb louver CGB-150 - Concrete mounting kit

Fixtures shipped with standard lamp, unless otherwise specified.