



**PROFESSIONAL
OUTDOOR LIGHTING**

Type:

Model:

Project:

SPECIFICATION SHEET

MODEL 6509 Landscape Series • Path & Spread Lights

FIXTURE SPECIFICATIONS:

HOUSING:

Die-cast, copper-free aluminum.

STEM:

½" schedule-40 aluminum pipe with ½" NPT.

FINISH:

Durable powder coat finish available in Black, Architectural Bronze, Dark Bronze, Granite, White, Architectural Brick, Light Dark Bronze, Special Bronze, Glossy Gray, Rust, Hunter Green, Weathered Bronze, Weathered Iron, Graphite Metallic, Verde, Pewter, Mocha and Olde Finish. Custom Powder coat finishes available on request.

LENS:

Clear, high-impact, polycarbonate lens.

SOCKET/LAMP HOLDER:

Top grade ceramic socket with nickel contacts, stainless steel springs, and Teflon-jacketed wire leads.

LAMP TYPE:

T3 LED lamp only, 2.5 watt standard. Also available with Integrated LED Module with Vista exclusive smart driver.

ELECTRICAL:

Input voltage range 9–15V AC, regulated to achieve uniform illumination throughout the cable run of fixtures. Integral surge & reverse polarity protection.

MOUNTING:

Bottom of stem threaded with ½" NPT. Fixture may be mounted into threaded hubs in junction boxes, ground stakes, or floor-mounting canopies. Please see fixture ordering information for mounting selection.

FASTENERS:

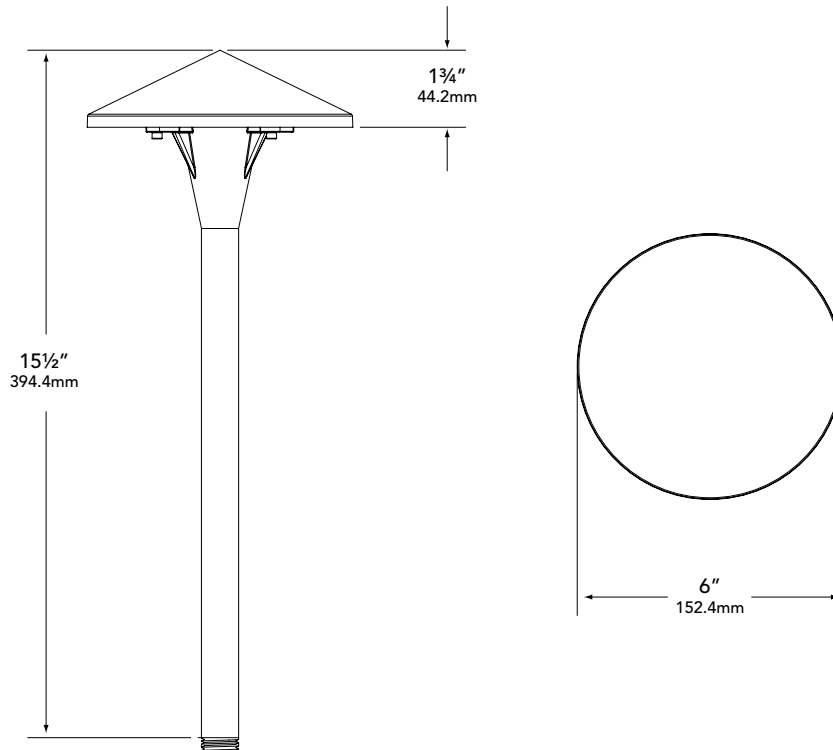
All fasteners are stainless steel.

WIRING:

Provided with a three-foot pigtail of 18-2 direct-burial cable and underground connectors for a secure connection to supply cable.

All Vista luminaires are **MADE IN U.S.A.**

DIMENSIONS:



Vista Professional Outdoor Lighting reserves the right to modify the design and/or construction of the fixture shown without further notification.



SPECIFICATION SHEET

MODEL 6509 Landscape Series • Path & Spread Lights

FIXTURE ORDERING INFORMATION

TO ORDER FIXTURE: Select appropriate choice from each column as in the following example.

EXAMPLE: PR-6509-B-W-LB2ND or PR-6509-B-2.5-W-T3

MOUNTING	MODEL	FINISH	LAMP
PR - ABS ground stake	6509	Standard	2.5-W-T3-Warm LED T3 Lamp
		B - Black Z - Architectural Bronze DZ - Dark Bronze GT - Granite W - White	INTEGRATED LED MODULE
		Premium	W-LB2ND - Warm 2.5W N-LB2ND - Neutral 2.5W C-LB2ND - Cool 2.5W W-LB5ND - Warm 5W N-LB5ND - Neutral 5W C-LB5ND - Cool 5W (Please see lamp order code column on lamp guide, Vista product catalog.)
		BR - Architectural Brick LZ - Light Bronze SB - Special Bronze GG - Glossy Gray R - Rust HG - Hunter Green WB - Weathered Bronze WI - Weathered Iron GM - Graphite Metallic	
		Hand Finished	
		G - Verde P - Pewter M - Mocha OF - Olde Finish	

Fixtures shipped with standard lamp, unless otherwise specified.
 Fixtures shipped with specified mounting hardware.