

Type: \_\_\_\_\_  
Model: \_\_\_\_\_  
Project: \_\_\_\_\_

## SPECIFICATION SHEET

---

### MODEL: CAS-104 - *Mounting Stem*

#### SPECIFICATIONS:

**CONSTRUCTION:**

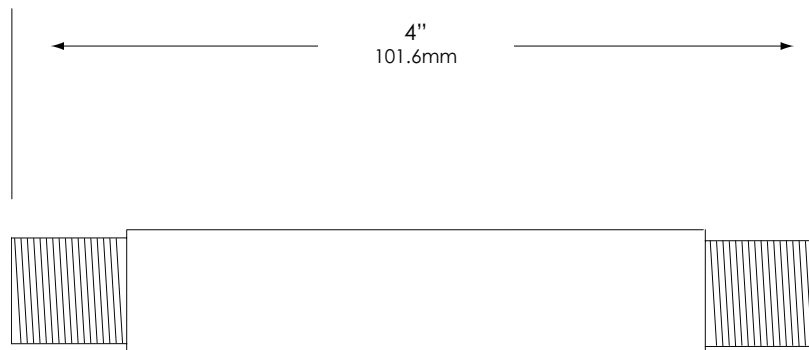
½" heavy gauge, extruded copper pipe with ½" NPT on both ends.

All Vista accessories are **MADE IN THE U.S.A.**

---

---

#### DIMENSIONS:



---

*Vista Professional Outdoor Lighting reserves the right to modify the design and/or construction of the fixture shown without further notification.*