



**VISTA  
PROFESSIONAL  
OUTDOOR  
LIGHTING**

Type: \_\_\_\_\_

Model: \_\_\_\_\_

Project: \_\_\_\_\_

## SPECIFICATION SHEET

### MODEL: DS-2237 - 12V SERIES: Specialty Lights

#### SPECIFICATIONS:

##### HOUSING:

Die-cast, copper-free aluminum.

##### SHROUD:

Die-cast, copper-free aluminum fitted to the housing with a silicone o-ring gasket – providing a superior weather-tight seal.

##### FINISH:

Polyester powder-coated finish available in Black, Verde, Architectural Brick, Architectural Bronze, Granite, Pewter, Terracotta, Rust, Hunter Green, Mocha, Weathered Bronze, Weathered Iron, and White.

##### SOCKET/LAMP HOLDER:

Top grade ceramic socket with nickel contacts, stainless steel springs, and Teflon-jacketed wire leads.

##### LENS:

Clear, tempered, shock and heat-resistant, soda-lime glass lens. Optical effect lenses are available; see accessories column on fixture ordering information chart.

##### LAMP TYPE:

MR-16 Halogen – 35W maximum. LN-20 BAB (20W) Standard.

##### MOUNTING:

Adjustable bracket and J-box included.

##### FASTENERS:

All fasteners are stainless steel.

##### WIRING:

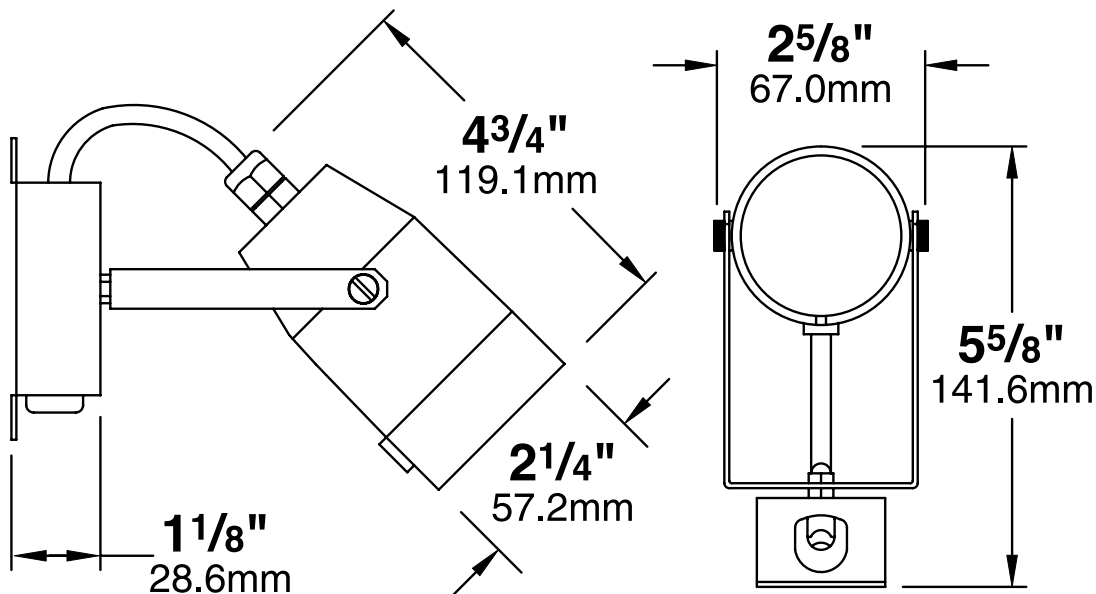
Prewired with a three-foot pigtail of 18-2 direct-burial cable and underground connectors for a secure connection to the supply cable.

##### CERTIFICATION:

UL Listed to U.S. and Canadian safety standards for low voltage landscape luminaires (UL 1838). The maximum wattages allowed by Underwriters Laboratories (UL) for the U.S. and Canadian markets may vary. Maximum wattages specified are Underwriters Laboratories U.S. standard. Please contact Vista for any questions about the maximum wattages allowed by UL Canadian standards.

All Vista luminaires are **MADE IN THE U.S.A.**

#### DIMENSIONS:



In an effort to improve product design U.S.T.E., Inc. reserves the right to modify the specifications of this fixture.

1625 Surveyor Avenue • Simi Valley, CA 93063 • (805) 527-0987 • (800) 766-VISTA (8478)

FAX: (888) 670-VISTA (8478) • email@vistapro.com • www.vistapro.com

DS-2237 (11/06)



**FIXTURE ORDERING INFORMATION**

**TO ORDER FIXTURE:** Select appropriate choice from each column as in the following example

EXAMPLE: DS-2237-B-BAB-FR

MOUNTING	CATALOG NO.	FINISH	LAMP	ACCESSORIES
DS- Short shrouded	<b>2237</b>	<b>B-</b> Black <b>G-</b> Verde <b>BR-</b> Architectural Brick <b>Z-</b> Architectural Bronze <b>GT-</b> Granite <b>P-</b> Pewter <b>TC-</b> Terracotta <b>R-</b> Rust <b>HG-</b> Hunter Green <b>M-</b> Mocha <b>WB-</b> Weathered Bronze <b>WI-</b> Weathered Iron <b>W-</b> White	(Please see lamp order code column on lamp guide, Vista product catalog.)	<b>BL-</b> Flat Cool Blue lens <b>SL-</b> Flat Spread lens <b>FR-</b> Flat Frosted lens <b>DBL-</b> Flat Dark Blue lens <b>GL-</b> Flat Dark Green lens <b>RL-</b> Flat Red lens <b>YL-</b> Flat Amber lens  <b>HL-</b> Honeycomb louver

Fixtures shipped with standard lamp, unless otherwise specified.  
 Fixtures shipped with specified mounting hardware.