



Type: \_\_\_\_\_

Model: \_\_\_\_\_

Project: \_\_\_\_\_

## SPECIFICATION SHEET

### MODEL: PHT-4216 - 12V SERIES: Specialty Lights

#### SPECIFICATIONS:

##### HOUSING:

Die-cast, copper-free aluminum with 12" plant-hanging chains to support planting containers.

##### FINISH:

Polyester powder-coated finish available in Black, Verde, Architectural Brick, Architectural Bronze, Granite, Pewter, Terracotta, Rust, Hunter Green, Mocha, Weathered Bronze, Weathered Iron, and White.

##### SOCKET/LAMP HOLDER:

Top grade ceramic socket with nickel contacts, stainless steel springs, and Teflon-jacketed wire leads.

##### LENS:

Clear, high-impact, polycarbonate lens.

##### LAMP TYPE:

T3 – 20W maximum. LN-10 T3 Halogen (10W) Standard.

*(See back page for LED lamp specifications)*

##### MOUNTING:

Solid brass loop with a six-foot stainless steel cable-hanger included.

##### FASTENERS:

All fasteners are stainless steel.

##### WIRING:

Prewired with a three-foot pigtail of 18-2 SPT1 UV resistant cable and underground connectors for a secure connection to the supply cable.

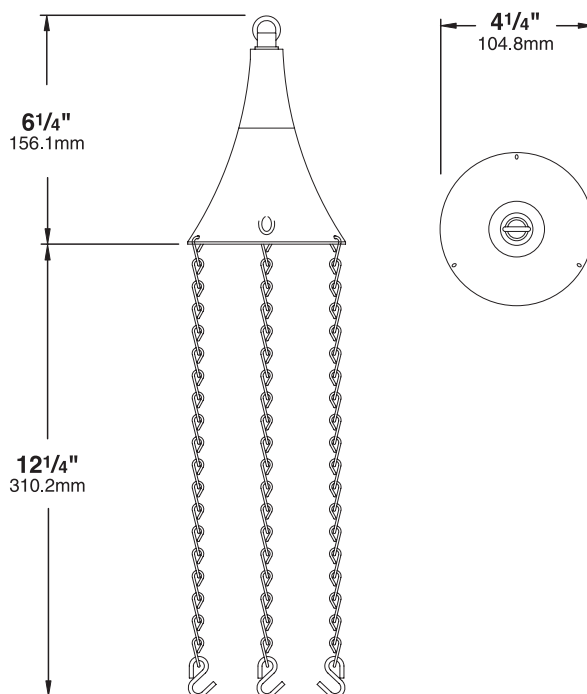
##### CERTIFICATION:

UL Listed to U.S. and Canadian safety standards for low voltage landscape luminaires (UL 1838). The maximum wattages allowed by Underwriters Laboratories (UL) for the U.S. and Canadian markets may vary. Maximum wattages specified are Underwriters Laboratories U.S. standard.

Please contact Vista for any questions about the maximum wattages allowed by UL Canadian standards.

All Vista luminaires are **MADE IN THE U.S.A.**

#### DIMENSIONS:



In an effort to improve product design U.S.T.E., Inc. reserves the right to modify the specifications of this fixture.

1625 Surveyor Avenue • Simi Valley, CA 93063 • (805) 527-0987 • (800) 766-VISTA (8478)

FAX: (888) 670-VISTA (8478) • email@vistapro.com • www.vistapro.com

PHT-4216 (11/06)

## LED LAMP SPECIFICATIONS (if applicable) :

### LAMP TYPE:

Type 3 Luxeon High Output LED with Vista exclusive smart-driver, powered to operate for 50,000 hours.

### OPTICS:

Integral high-efficiency optics available in spot through flood beam spreads.

### ELECTRICAL:

Input voltage range 5-15V AC, regulated to achieve uniform illumination throughout the cable run of fixtures. Integral surge & reverse polarity protection.

## FIXTURE ORDERING INFORMATION

**TO ORDER FIXTURE:** Select appropriate choice from each column as in the following example

EXAMPLE: HT-PHT-4216-B-10 T3-FR

MOUNTING	CATALOG NO.	FINISH	LAMP	ACCESSORIES
HT- Brass loop with stainless steel cable-hanger incl.	PHT-4216	<b>B-</b> Black <b>G-</b> Verde <b>BR-</b> Architectural Brick <b>Z-</b> Architectural Bronze <b>GT-</b> Granite <b>P-</b> Pewter <b>TC-</b> Terracotta <b>R-</b> Rust <b>HG-</b> Hunter Green <b>M-</b> Mocha <b>WB-</b> Weathered Bronze <b>WI-</b> Weathered Iron <b>W-</b> White	(Please see lamp order code column on lamp guide, Vista product catalog.)	FR- Frosted lens

Fixtures shipped with standard lamp, unless otherwise specified.

Fixtures shipped with specified mounting hardware.