



INSTALLATION INSTRUCTIONS

In-Ground and Well Lights

FOR USE ONLY WITH LOW VOLTAGE LANDSCAPE POWER UNITS THAT DO NOT EXCEED 25 AMPS, 15 VOLT MAXIMUM.

WARNING: Luminaires must be installed in accordance with the National Electrical Code (NEC) and local codes. Failure to do so will void the warranty and may result in serious injury and/or damage to the luminaire.

SAFETY WARNING: Luminaire can become very hot depending on lamp wattage used. Lens and metal around lamp can become hot enough to blister hands. Particular care should be taken not to locate luminaires where small children can reach them if high wattage lamps are used.

WARNING: Debris must be kept clear from top and interior of ingrade fixtures. Excessive heat could occur that may create a fire hazard and/or harm the fixture components. Specific attention must be made to never install ingrade fixtures in mulch, wood chips or other potentially ignitable materials. For installation in potentially ignitable materials, such as mulch and wood chips, installer must use an above-grade mounted fixture. **FAILURE TO DO SO WILL VOID THE WARRANTY AND MAY RESULT IN SERIOUS INJURY AND/OR DAMAGE TO THE FIXTURE AND/OR PROPERTY.**

LUMINAIRES ARE NOT TO BE INSTALLED WITHIN 10 FT. (3.05M) OF A POOL OR SPA. SECONDARY CABLE IS NOT TO BE BURIED MORE THAN 6". WHEN USING MULTIPLE LUMINAIRES, LOAD IS NOT TO EXCEED THE TOTAL WATTS OF TRANSFORMER RATING. DO NOT USE EXTENSION CORDS ON POWER UNITS.

NOTE: Always use UL recognized wire connectors for connections.

NOTE: Save these instructions for future reference.



In-Grade Soil Installation:

LUMINAIRE MOUNTING:

PRECAUTION: Luminaire is not submersible and adequate drainage must be provided during installation. It is recommended that the luminaire be surrounded by 3" to 4" of pea gravel or sand to assure proper drainage. Top of luminaire must be above grade so rain and irrigation water can not accumulate for long periods of time.

1. To prevent electrical shock, disconnect transformer from electrical supply before installation or service.
2. Dig hole approximately 12" diameter by 11" deep. This allows approximately 3" of pea gravel or sand to surround the luminaire housing.

NOTE: ABS sleeve is reversible. Straight cut end allows flush ground mounting. Angle cut end requires the top three (3) inches to be installed above ground for vertical aiming. See fig. 2

3. Place luminaire with support bracket inside ABS sleeve and adjust angle with adjusting screw on side of support bracket. Push luminaire and support bracket down to desired level.

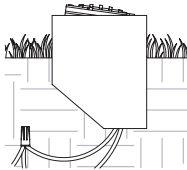
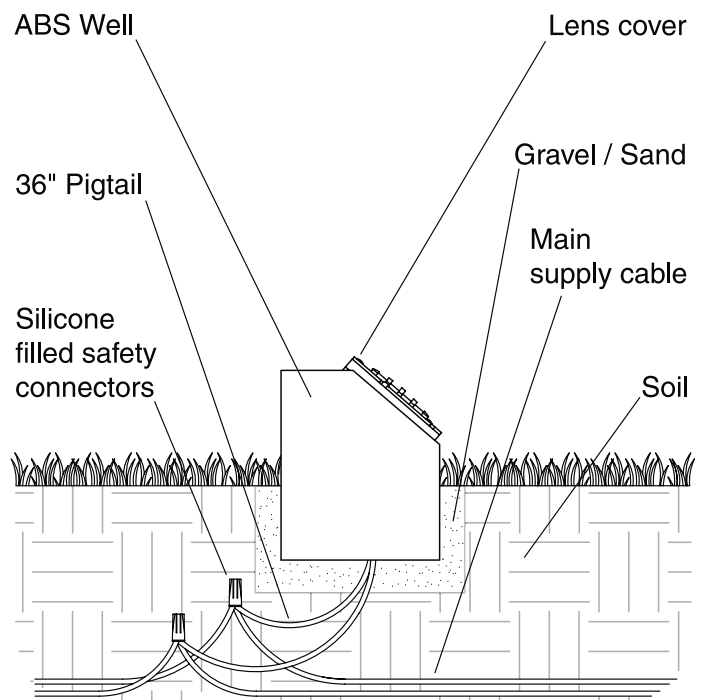


fig. 2

4. Run wire pigtail through bottom of ABS sleeve and strip the two (2) leads from the luminaire wire.

3. Strip the two (2) leads from the luminaire pigtail wire. Using the two (2) silicone filled safety connectors (provided), connect the leads from the luminaire to the electrical supply wire leads.

NOTE: Luminaires are supplied with 36" of 18-2 cable pigtail for secure connection to the electrical supply cable. The wire is to be protected by routing in close proximity to the luminaire. The wiring should be buried a maximum depth of 6 inches (15.2 cm) in order to connect to the electrical supply wire.



4. Install luminaire in hole and backfill hole after installation with pea gravel or sand.
5. Provide power to luminaire and check for proper operation.

continued on next page...



**VISTA
PROFESSIONAL
OUTDOOR
LIGHTING**

INSTALLATION INSTRUCTIONS

LED FIXTURE INTALLATIONS:

For each low-voltage LED luminaire, the Vista-designed electronic driver ensures the LED operates at the intended Lumen output while receiving voltage as low as 6, and as high as 15 VAC for balanced lumen output from the first fixture to the last, with no voltage drop issues to affect your installation. Also, instant-start functionality with full color, 100% light, and cold-start capability down to -40 degrees Celsius.

NOTE: The operating voltage range for LED fixtures is 6-15V AC. Exceeding the maximum voltage (15V) could result in damage to internal components and void the manufacturer warranty.

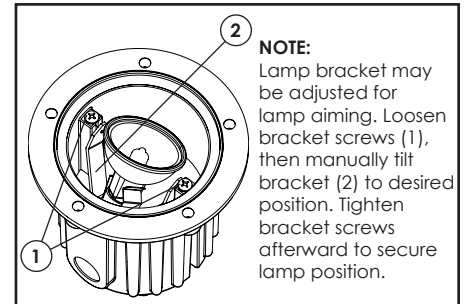
LAMP INSTALLATION/REPLACEMENT:

IMPORTANT SAFETY INSTRUCTIONS THE LIGHTED LAMP IS HOT!!

WARNING: TO REDUCE THE RISK OF FIRE, OR INJURY TO PERSONS:

1. Turn off/unplug and allow to cool before replacing lamp.
2. Lamps get hot quickly! Contact only switch/plug when turning on.
3. Do not touch hot lens, guard or enclosure.
4. Keep lamp away from material that may burn.
5. Do not touch the lamp at any time. Use a soft cloth. Oil from the skin may damage lamp.
6. Do not operate luminaire fitting with a missing or damaged cover.

SAVE THESE INSTRUCTIONS



CAUTION: Do not exceed maximum wattage marked on luminaire label.

1. To prevent electrical shock, disconnect transformer from electrical supply before service.
2. Loosen cover screws and remove cover.
3. Remove gasket.
4. Replace lamp with correct wattage and type marked on fixture label.

NOTE: DO NOT touch Halogen lamp with bare hands. Always use soft cloth or the plastic wrapping (if available) from the lamp to handle the lamp.

5. Clean gasket channel and re-install a new gasket.

NOTE: *As a recommended practice for installers of all ingrade luminaires, Vista stongly recommends replacing the gasket with a new one every time the fixture is unsealed for maintenance. A replacement gasket for future use is provided for your convenience. Additional gaskets for your maintenance kit may be purchased through your local Vista Professional Outdoor Lighting distributor.*

6. Re-install cover and tighten the cover screws evenly.