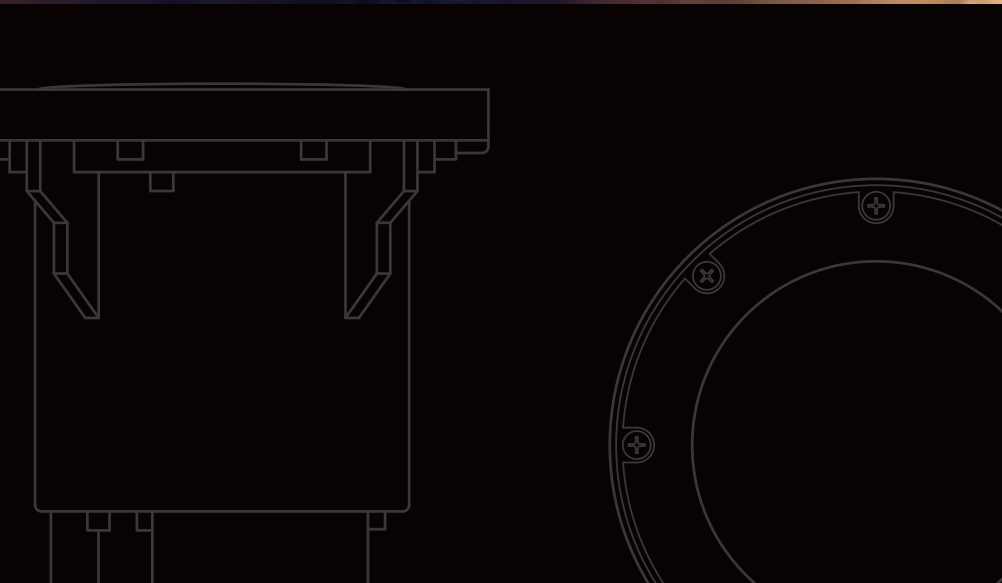
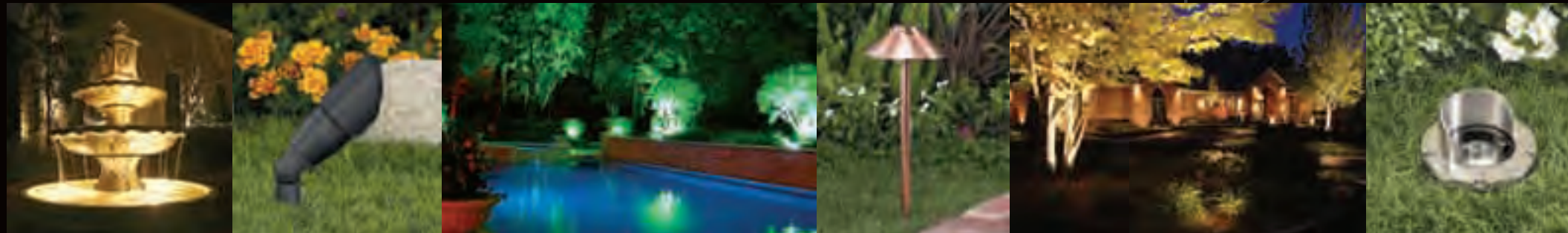


TO ILLUMINATE YOUR LIFESTYLE, TAKE A PROFESSIONAL APPROACH.



**VISTA
PROFESSIONAL
OUTDOOR
LIGHTING**

COMMON REASONS WHY PEOPLE CHOOSE PROFESSIONAL LANDSCAPE LIGHTING:



WHY VIEWING YOUR HOME AND YOUR LIFESTYLE FROM A PROFESSIONAL'S PERSPECTIVE IS ESSENTIAL.

BEAUTIFICATION. Focal points during the day now stand out and become more visible. Textures not seen in daylight now have eye-catching detail. Architectural features of the home can be accented, which brings the home and landscape together to create a resort-like feel.

USABILITY. Landscape lighting enjoyably extends the time spent outdoors. Now patios, pools and children's play areas become entertainment venues, or just relaxing places to unwind.

SAFE PASSAGE. Hazards such as steps, low-hanging or thorny vegetation, abrupt elevation changes or toys in a walkway can be avoided with properly placed landscape lighting. *Even though property owners know their way around, guests may not.*

SECURITY. It is a proven fact that a well-lit landscape will deter potential intruders by eliminating dark areas and shadows that would conceal movement around the property. Landscape lighting also allows the homeowner and neighbors to see and identify potential intruders.

VALUE. From a personally pleasing perspective, landscape lighting not only brings the property to life, it brings life to the property. From a practical perspective, professionally installed landscape lighting provides an excellent return on investment, because it creates a marvelous first impression when viewed by family and friends or possible prospective buyers.



By day, the architecture of your home and surrounding landscape can be admired and enjoyed by all. At night, however, your home and landscape fade into the darkness.

To make sure your property is properly illuminated and becomes the envy of the neighborhood, a professional will ask you a lot of questions. Your answers make it easier for a professional to better understand why you want landscape lighting, and how you intend to use your exterior property after the lighting has been installed.

You have made a substantial investment in your home and landscaping. Effectively communicating your wants and desires about what you would like professional outdoor lighting to accomplish will elevate the value of this investment, as well as enhance your pride of ownership.



7 7/8"
200.0mm

2 7/8"
73.1mm

WHY VISTA PROFESSIONAL
OUTDOOR LIGHTING IS TRUSTED
BY MORE PROFESSIONALS TO
CREATE LASTING IMPRESSIONS.

minials

0 300

W W

3 Cir 4

11V 12V 12V 13V 13V 14V 14V 15V

Output Taps

Output Taps

ILLUMINATING
INFORMATION
ABOUT
LOW-VOLTAGE
LIGHTING

UL-listed Vista transformers convert 120v outlets into 12v taps that power your low-voltage lighting systems. On average, low-voltage lamps provide as much illumination as 120v lamps—and when designed into a system—offer greater placement flexibility and illumination control. Additionally, low-voltage lamps are generally more efficient than 120v lamps, resulting in energy savings and are less expensive to install.

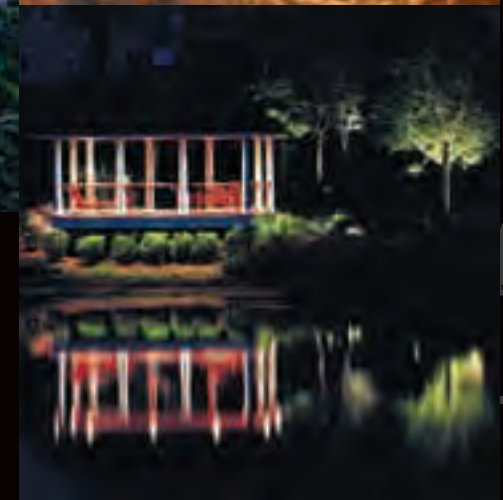
Should the lighting design require supplemental 120v lighting, your professional will specify and install appropriate Vista products to beautifully complement your illuminated nightscape.



After asking questions and listening to your answers, a professional will put together a landscape lighting design for your property. The following are different types of lighting techniques a professional may factor into your design:

- Up Lighting
- Down Lighting
- Back Lighting
- Shadowing
- Grazing
- Highlight or Focal Point
- Underwater Lighting
- Cross Lighting
- Path Lighting
- Silhouette Lighting
- Wall Washing
- Mirror Lighting
- Safety Lighting

To create these techniques, more professionals turn to Vista for fixtures, transformers and accessories. Not only are Vista products of the highest quality and manufactured in the United States, the fixture designs are expertly crafted to lend an air of style and subtle sophistication. Gracing landscapes around the world, Vista is the professional standard for elegance, reliability and lasting satisfaction.

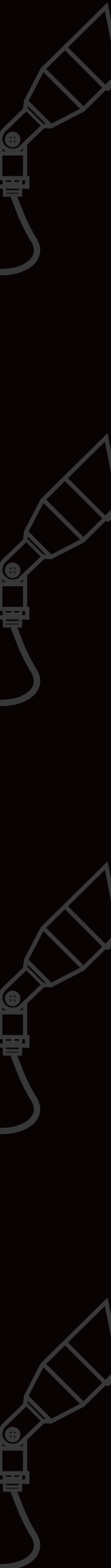


$$3.1 = \frac{(75 \text{ ft.} \times 250\text{W}) \times 2}{11,920}$$

10 ft.

50W

2 cable

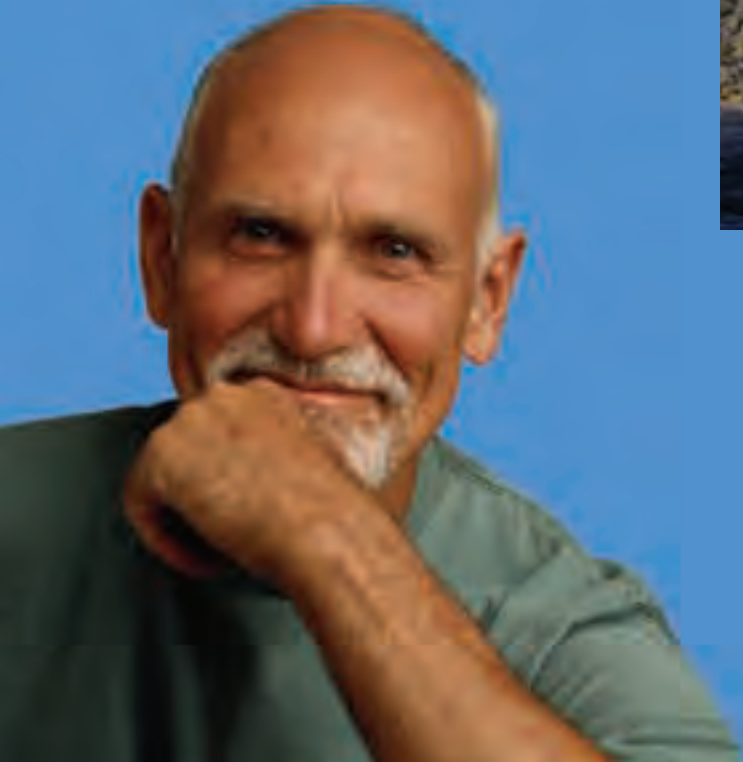


WHY TURNING TO A PROFESSIONAL PLACES YOU IN THE BEST POSSIBLE LIGHT.

A professional knows what questions to ask, is adept at listening and more than qualified to respond with a design that incorporates everything you said you wanted your landscape lighting to accomplish.

A professional understands exactly what fixtures, lamps and transformers to specify, exclusively low-voltage or in combination with line voltage products. A professional is creative, a visionary and an installation expert. A professional is adaptable and will build expandability into the original design, knowing you will want to modify or expand your landscape lighting in the years to come.

Above all else, a professional is with you every step of the way, doing whatever needs to be done to earn your trust.



7 7/8"
197.1mm

10 3/4"
271.8mm

YOUR HOME.
YOUR LIFESTYLE.



Take this professional approach to illuminate both.

7
182

BEAUTY. USABILITY. SAFETY. SECURITY. VALUE.



TRUST VISTA PROFESSIONAL OUTDOOR LIGHTING TO ILLUMINATE YOUR LIFESTYLE.

Customer service that's second to none.

Forward thinking lighting solutions.

Reliable, durable products made in the U.S.A.



www.vistapro.com



13^{3/8}"
338.2mm

LTV 0715