



**PROFESSIONAL
OUTDOOR LIGHTING**

Type:

Model:

Project:

SPECIFICATION SHEET

MODEL FT 1500 MD Architectural Series • Metal Door Flush Tray

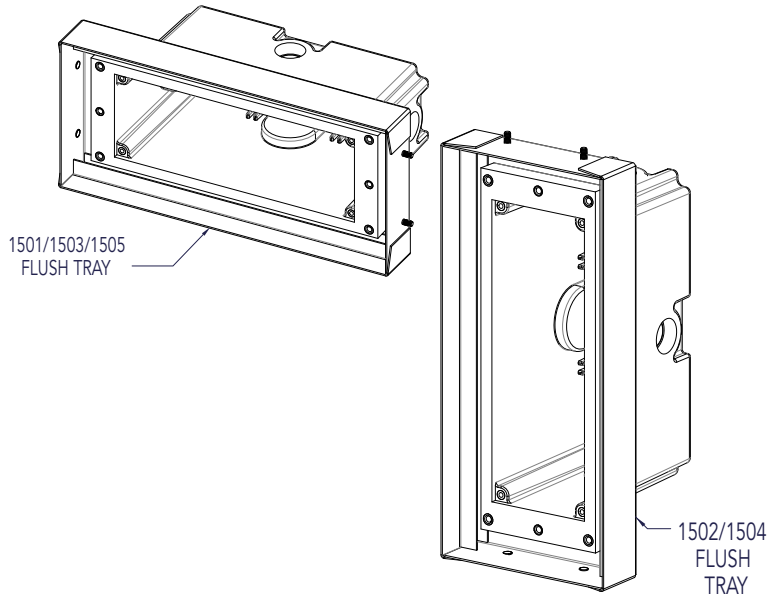
SPECIFICATIONS:

The 1500 Series Metal Door Flush Tray is a mounting option that is specifically designed for flush mounting all of the 1501, 1502, 1503, 1504, and 1505 versions of Vista's Metal Door options. This option mounts directly to the Rough-In Section and **MUST** be ordered and installed with the Rough-In section to position the steplight door front plane flush with the finished wall surface. Constructed of Stainless Steel sheet, this mount is powder coated black. The mount can be used in poured concrete or block construction, as well as drywall IC and non-IC walls. The flush tray can be adjusted for 1/2" thick or 5/8" thick finished wall finished wall surfaces.

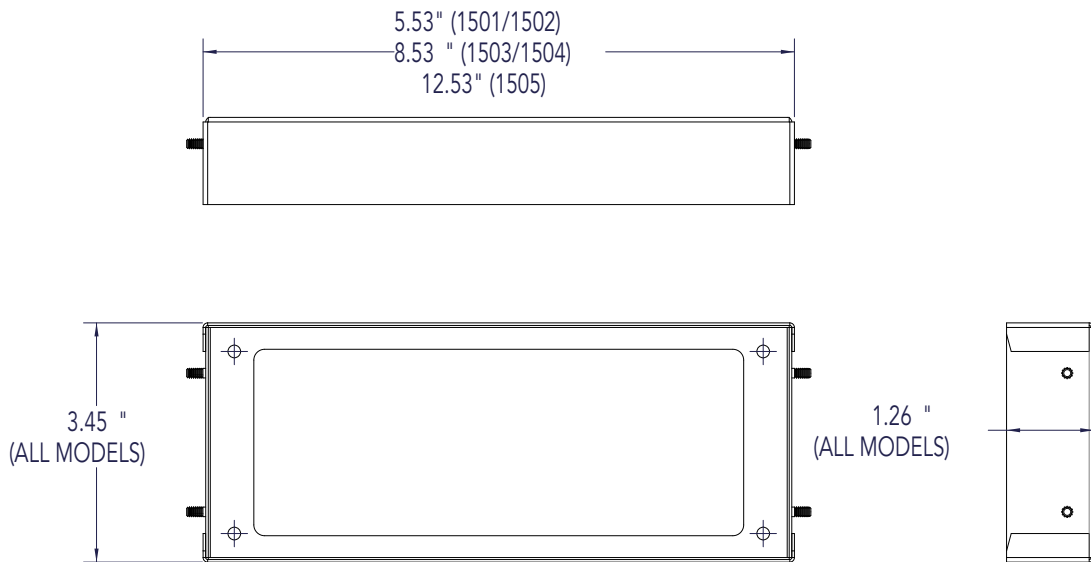
Flush mount option not suitable for 2"x4" walls.

Minimum wall depth 2"x6".

All Vista mountings are MADE IN THE USA.



DIMENSIONS:



Vista Professional Outdoor Lighting reserves the right to modify the design and/or construction of the fixture shown without further notification.