

**IES FLOOD REPORT**  
**PHOTOMETRIC FILENAME : L01111201.IES**

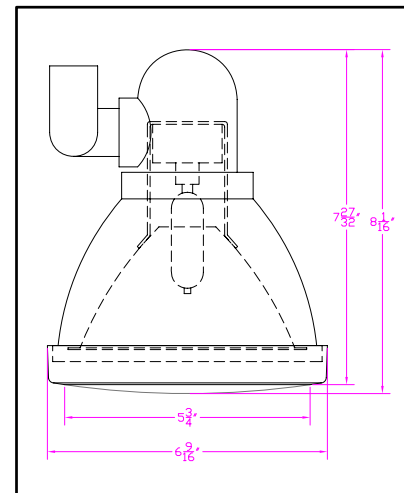
**DESCRIPTIVE INFORMATION (From Photometric File)**

IESNA:LM-63-2002  
[TEST] L0111-1201  
[TESTLAB] LIGHT LABORATORY, INC.  
[ISSUE DATE] 1/26/2011  
[MANUFAC] VISTA PROFESSIONAL OUTDOOR LIGHTING  
[LUMCAT] 1096-B-CX-MH70-TSP  
[LUMINAIRE] 6-9/16"DIA. X 8-1/16"H. UP AND ACCENT LIGHT  
[MORE] 70W MH LAMP WITH TIGHT SPOT REFLECTOR  
[MORE] CLEAR TEMPERED GLASS LENS  
[BALLASTCAT] HATCH MC70-1-F-UNNU  
[BALLAST] 120-277V 50/60Hz ELECTRONIC  
[LAMPPOSITION] 0,0  
[LAMPCAT] SYLVANIA MC70T6/U/G12/940  
[LAMPLUM] 5800  
[INPUT] 120VAC, 79.55W

Note: Candela values converted from Type-C to Type-B

**CHARACTERISTICS**

NEMA Type	2 H x 2 V
Maximum Candela	52169
Maximum Candela Angle	0H 0V
Horizontal Beam Angle (50%)	9.7
Vertical Beam Angle (50%)	9.7
Horizontal Field Angle (10%)	22.8
Vertical Field Angle (10%)	22.8
Lumens Per Lamp	5800 (1 lamp)
Total Lamp Lumens	5800
Beam Lumens	895
Beam Efficiency	15 %
Field Lumens	2014
Field Efficiency	35 %
Spill Lumens	1290
Luminaire Lumens	3304
Total Efficiency	57 %
Total Luminaire Watts	79.55
Ballast Factor	1.00

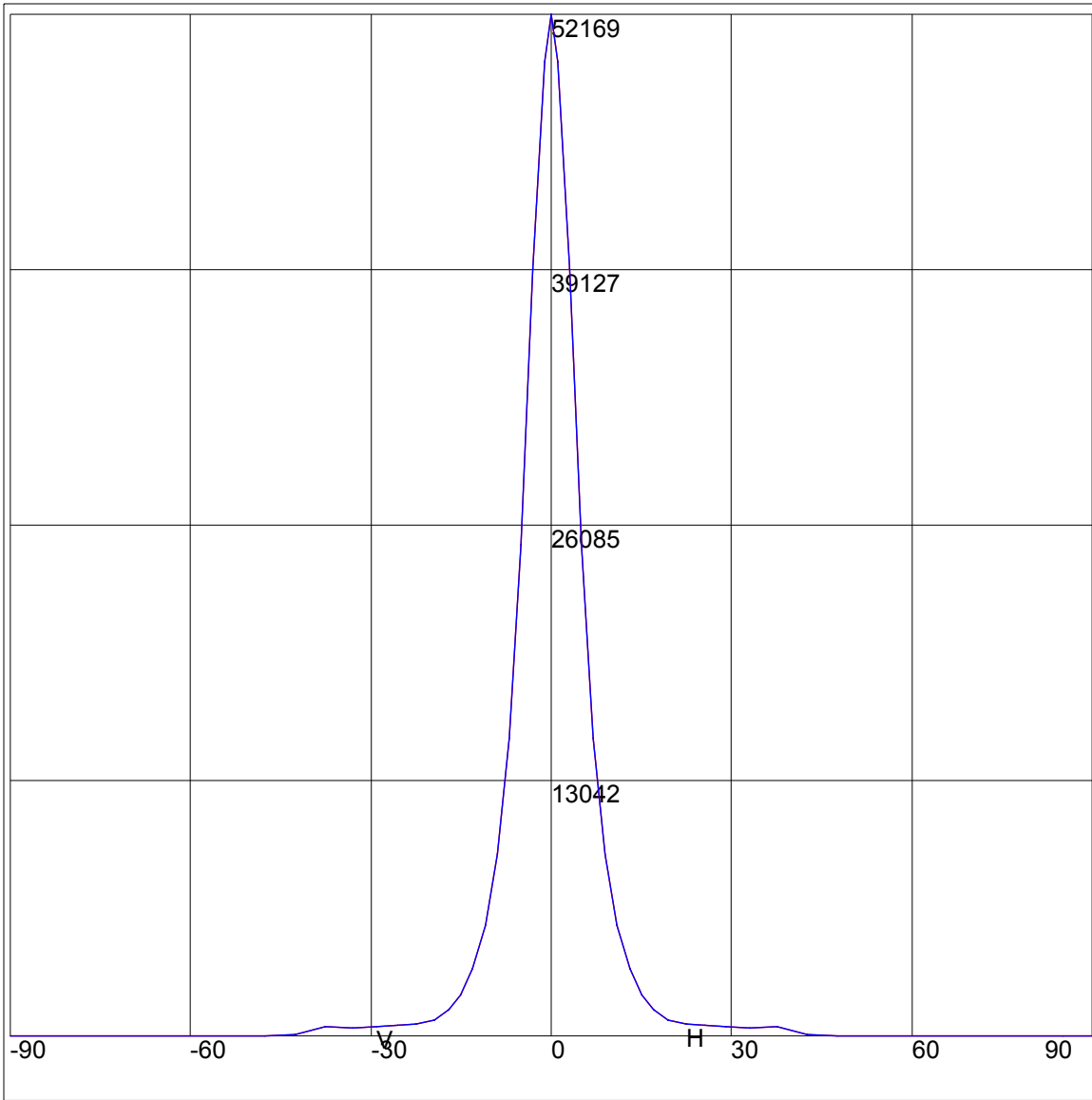


**IES FLOOD REPORT**  
**PHOTOMETRIC FILENAME : L01111201.IES**

**AXIAL CANDELA**

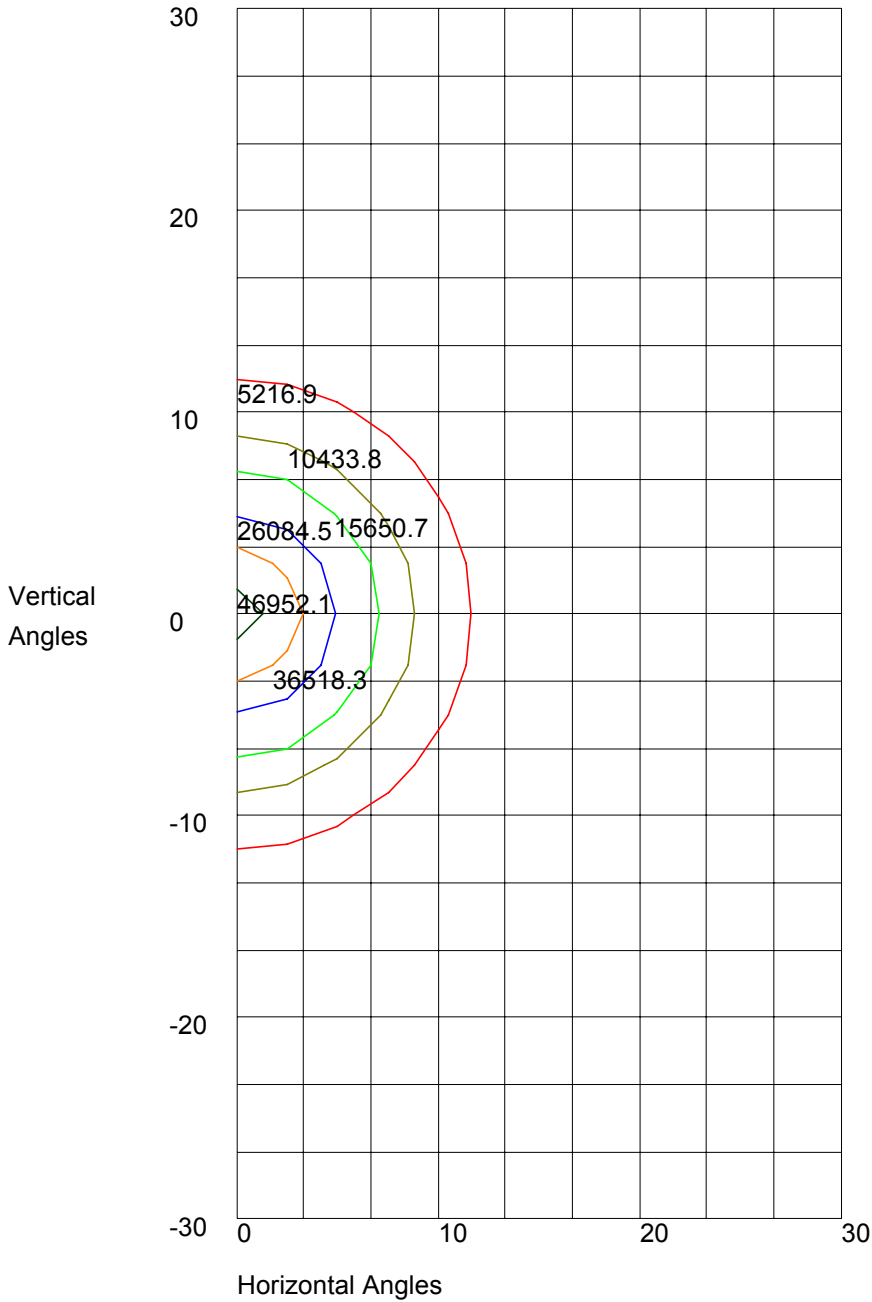
DEG.	HOR.	DEG.	VERT.
90	28	90	28
85	29	85	29
75	31	75	31
65	33	65	33
55	36	55	36
47.5	51	47.5	51
42.5	113	42.5	113
37.5	479	37.5	479
33	420	33	420
29	490	29	490
25.5	538	25.5	538
22.5	604	22.5	604
19.5	868	19.5	868
17	1378	17	1378
15	2134	15	2134
13	3432	13	3432
11	5651	11	5651
9	9333	9	9333
7	15223	7	15223
5	25101	5	25101
3	39210	3	39210
1	49727	1	49727
0	52169	0	52169
-1	49727	-1	49727
-3	39210	-3	39210
-5	25101	-5	25101
-7	15223	-7	15223
-9	9333	-9	9333
-11	5651	-11	5651
-13	3432	-13	3432
-15	2134	-15	2134
-17	1378	-17	1378
-19.5	868	-19.5	868
-22.5	604	-22.5	604
-25.5	538	-25.5	538
-29	490	-29	490
-33	420	-33	420
-37.5	479	-37.5	479
-42.5	113	-42.5	113
-47.5	51	-47.5	51
-55	36	-55	36
-65	33	-65	33
-75	31	-75	31
-85	29	-85	29
-90	28	-90	28

AXIAL CANDELA DISPLAY



Maximum Candela = 52169 Located At Horizontal Angle = 0, Vertical Angle = 0  
H - Horizontal Axial Candela  
V - Vertical Axial Candela

ISOCANDELA CURVES



Maximum Candela = 52169 Located At Horizontal Angle = 0, Vertical Angle = 0  
50% Maximum Candela = 26084.5  
10% Maximum Candela = 5216.9