



**PROFESSIONAL**  
OUTDOOR LIGHTING

Type:

Model:

Project:

## SPECIFICATION SHEET

### MODEL 1029 Architectural Series • Up & Accent

#### FIXTURE SPECIFICATIONS:

**LAMP TYPE:**

T3- Mini-Can Halogen. 150W Maximum. Lamp not included with fixture, order separately.

**HOUSING:**

Die-cast, copper-free aluminum.

**SHROUD:**

Die-cast, copper-free aluminum fitted to the housing with a silicone o-ring gasket – providing a superior weather-tight seal. The hinged shroud opens easily for access to the lamp and is latched securely with a stainless steel screw at the top to assure the compartment maintains its weather-tight seal.

**FINISH:**

Polyester powder-coat finish available in Black, Verde, Architectural Brick, Architectural Bronze, Light Bronze, Dark Bronze, Granite, Pewter, Terracotta, Rust, Hunter Green, Mocha, Weathered Bronze, Weathered Iron, and White.

**SOCKET/LAMP HOLDER:**

Porcelain Mini-Can base with spring center contact and high-temperature leads.

**LENS:**

Flat, clear, tempered, shock and heat-resistant, soda-lime glass lens. Optical effect lenses are available; please see the lens and accessories columns in the fixture ordering information chart.

**REFLECTOR:**

Hammer tone finish, high-performance aluminum reflector for even beam pattern.

**MOUNTING:**

Injection-molded, glass-reinforced Zytel® HTN composite adjustable knuckle with ½" NPT and jam nut. Fixture may be mounted into threaded hubs in junction boxes, ground stakes, grade-mounted ballast enclosures or tree-mount boxes.

**FASTENERS:**

All fasteners are stainless steel.

**WIRING:**

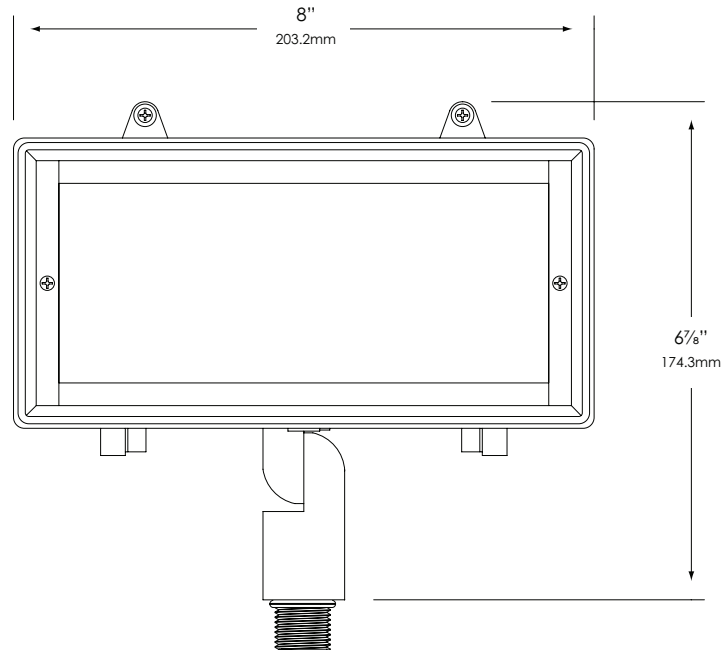
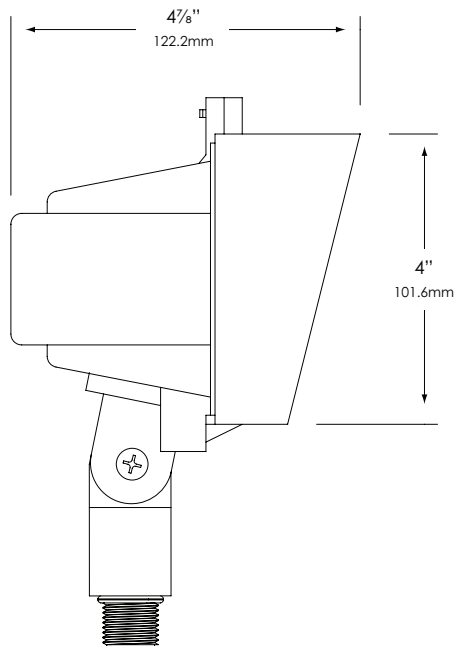
Prewired with 200°C-rated wire along with a grounded lead.

**CERTIFICATION:**

UL Listed to U.S. and Canadian safety standards for line voltage landscape luminaires (UL 1598). The maximum wattages allowed by Underwriters Laboratories (UL) for the U.S. and Canadian markets may vary. Maximum wattages specified are Underwriters Laboratories U.S. standard. Please contact Vista for any questions about the maximum wattages allowed by UL Canadian standards.

All Vista luminaires are **MADE IN THE U.S.A.**

#### DIMENSIONS:



Vista Professional Outdoor Lighting reserves the right to modify the design and/or construction of the fixture shown without further notification.



## SPECIFICATION SHEET

---

### MODEL 1029 Architectural Series • Up & Accent Lights

#### FIXTURE ORDERING INFORMATION

TO ORDER FIXTURE: Select appropriate choice from each column as in the following example.

**EXAMPLE: 1029-B-HL**

MODEL	FINISH	ACCESSORIES
1029	B - Black G - Verde BR - Architectural Brick Z - Architectural Bronze LZ - Light Bronze DZ - Dark Bronze GT - Granite P - Pewter TC - Terracotta R - Rust HG - Hunter Green M - Mocha WB - Weathered Bronze WI - Weathered Iron W - White	FR - Frosted flat lens HL - Honeycomb louver

Lamp not included with fixture, order separately - For available lamps, see Lamp Guide - Vista catalog.

Note: HD lamps require a ballast.