



**PROFESSIONAL**  
OUTDOOR LIGHTING

Type:

Model:

Project:

## SPECIFICATION SHEET

### MODEL 1031 Architectural Series • Up & Accent

#### FIXTURE SPECIFICATIONS:

**LAMP TYPE:**

T4- Double-Ended Halogen. 150W Maximum. Lamp not included with fixture, order separately.

**HOUSING:**

Die-cast, copper-free aluminum.

**SHROUD:**

Die-cast, copper-free aluminum fitted to the housing with a silicone o-ring gasket – providing a superior weather-tight seal. The hinged shroud opens easily for access to the lamp and is latched securely with a stainless steel screw at the top to assure the compartment maintains its weather-tight seal.

**FINISH:**

Polyester powder-coat finish available in Black, Verde, Architectural Brick, Architectural Bronze, Light Bronze, Dark Bronze, Granite, Pewter, Terracotta, Rust, Hunter Green, Mocha, Weathered Bronze, Weathered Iron, and White.

**SOCKET/LAMP HOLDER:**

Ceramic spring-loaded, double-ended, halogen socket with high-temperature leads.

**LENS:**

Flat, clear, tempered, shock and heat-resistant, soda-lime glass lens. Optical effect lenses are available; please see the lens and accessories columns in the fixture ordering information chart.

**REFLECTOR:**

Hammer tone finish, high-performance aluminum reflector for even beam pattern.

**MOUNTING:**

Injection-molded, glass-reinforced Zytel® HTN composite adjustable knuckle with ½" NPT and jam nut. Fixture may be mounted into threaded hubs in junction boxes, ground stakes, grade-mounted ballast enclosures or tree-mount boxes.

**FASTENERS:**

All fasteners are stainless steel.

**WIRING:**

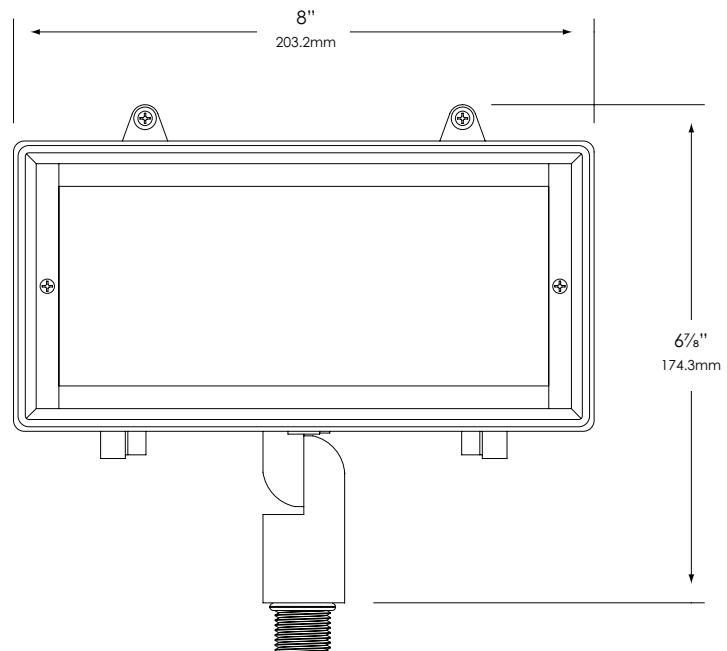
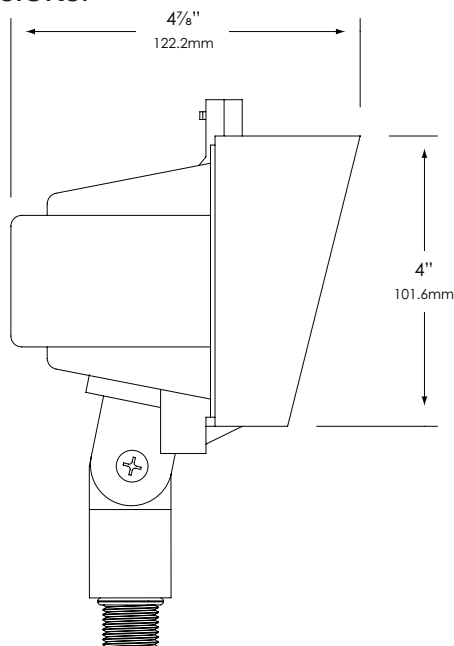
Prewired with 200°C-rated wire along with a grounded lead.

**CERTIFICATION:**

UL Listed to U.S. and Canadian safety standards for line voltage landscape luminaires (UL 1598). The maximum wattages allowed by Underwriters Laboratories (UL) for the U.S. and Canadian markets may vary. Maximum wattages specified are Underwriters Laboratories U.S. standard. Please contact Vista for any questions about the maximum wattages allowed by UL Canadian standards.

All Vista luminaires are **MADE IN THE U.S.A.**

#### DIMENSIONS:



Vista Professional Outdoor Lighting reserves the right to modify the design and/or construction of the fixture shown without further notification.



## SPECIFICATION SHEET

---

### MODEL 1031 Architectural Series • Up & Accent Lights

#### FIXTURE ORDERING INFORMATION

TO ORDER FIXTURE: Select appropriate choice from each column as in the following example.

**EXAMPLE: 1031-B-HL**

| MODEL | FINISH  | ACCESSORIES                                     |
|-------|---|---|
| 1031  | B - Black<br>G - Verde<br>BR - Architectural Brick<br>Z - Architectural Bronze<br>LZ - Light Bronze<br>DZ - Dark Bronze<br>GT - Granite<br>P - Pewter<br>TC - Terracotta<br>R - Rust<br>HG - Hunter Green<br>M - Mocha<br>WB - Weathered Bronze<br>WI - Weathered Iron<br>W - White | FR - Frosted flat lens<br>HL - Honeycomb louver |

Lamp not included with fixture, order separately - For available lamps, see Lamp Guide - Vista catalog.

Note: HD lamps require a ballast.