



**PROFESSIONAL**  
OUTDOOR LIGHTING

Type:

Model:

Project:

## SPECIFICATION SHEET

### MODEL 1033 Architectural Series • Up & Accent

#### FIXTURE SPECIFICATIONS:

**LAMP TYPE:**

PL - Compact Fluorescent. 13W Maximum. Lamp not included with fixture, order separately. Ballast is integrated into fixture – please specify ballast wattage in fixture ordering information.

**HOUSING:**

Die-cast, copper-free aluminum.

**SHROUD:**

Die-cast, copper-free aluminum fitted to the housing with a silicone o-ring gasket – providing a superior weather-tight seal. The hinged shroud opens easily for access to the lamp & is latched securely with stainless steel screws at the top to assure the compartment maintains its weather-tight seal.

**FINISH:**

Polyester powder-coat finish available in Black, Verde, Architectural Brick, Architectural Bronze, Light Bronze, Dark Bronze, Granite, Pewter, Terracotta, Rust, Hunter Green, Mocha, Weathered Bronze, Weathered Iron, and White.

**SOCKET/LAMP HOLDER:**

10 mm compact fluorescent thermoplastic socket.

**BALLAST:**

High-power factor magnetic ballast rated for ±32°F starting, 120-volt standard.

**LENS:**

Flat, clear, tempered, shock & heat-resistant, soda-lime glass lens. Optical effect lenses are available; please see the lens & accessories columns in the fixture ordering information chart.

**REFLECTOR:**

Polished semispecular finish, high performance aluminum reflector for uniform flood distribution.

**MOUNTING:**

Injection-molded, glass-reinforced Zytel® HTN composite adjustable knuckle with ½" NPT & jam nut. Fixture may be mounted into threaded hubs in junction boxes, ground stakes, grade-mounted ballast enclosures or tree-mount boxes.

**FASTENERS:**

All fasteners are stainless steel.

**WIRING:**

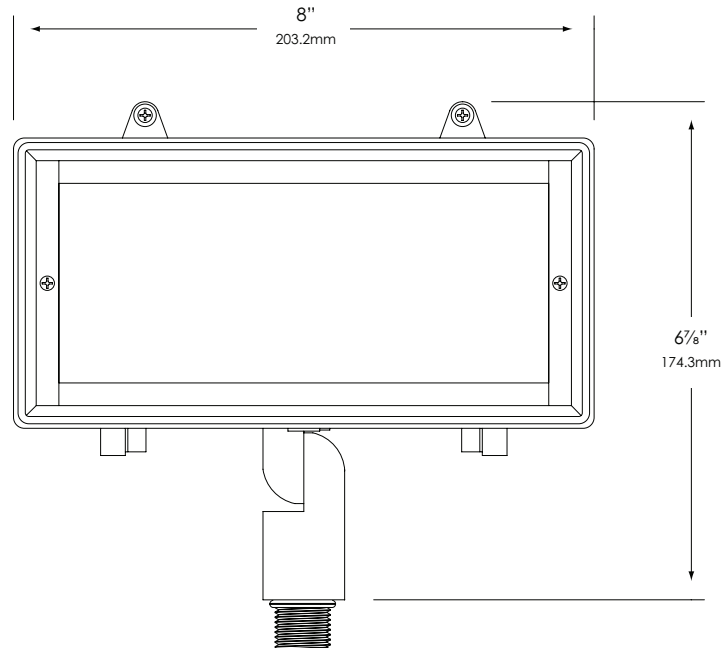
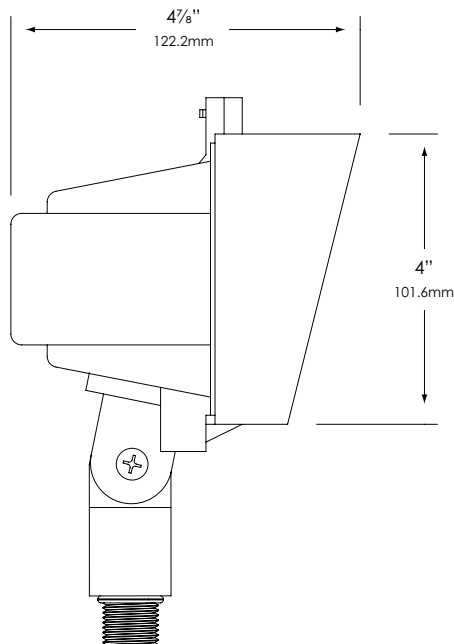
Prewired with 200°C-rated wire along with a grounded lead.

**CERTIFICATION:**

UL Listed to U.S. & Canadian safety standards for line voltage landscape luminaires (UL 1598). The maximum wattages allowed by Underwriters Laboratories (UL) for the U.S. & Canadian markets may vary. Maximum wattages specified are Underwriters Laboratories U.S. standard. Please contact Vista for any questions about the maximum wattages allowed by UL Canadian standards.

All Vista luminaires are **MADE IN THE U.S.A.**

#### DIMENSIONS:



Vista Professional Outdoor Lighting reserves the right to modify the design and/or construction of the fixture shown without further notification.



## SPECIFICATION SHEET

---

### MODEL 1033 Architectural Series • Up & Accent Lights

#### FIXTURE ORDERING INFORMATION

TO ORDER FIXTURE: Select appropriate choice from each column as in the following example.

**EXAMPLE: 1033-B-9-HL**

MODEL	FINISH	INTEGRATED BALLAST WATTAGE	ACCESSORIES
1033	B - Black	5	FR - Frosted flat lens HL - Honeycomb louver
	G - Verde		
	BR - Architectural Brick	7	
	Z - Architectural Bronze		
	LZ - Light Bronze	9	
	DZ - Dark Bronze		
	GT - Granite	13	
	P - Pewter		
	TC - Terracotta		
	R - Rust		
	HG - Hunter Green		
	M - Mocha		
	WB - Weathered Bronze		
WI - Weathered Iron			
W - White			

Lamp not included with fixture, order separately - For available lamps, see Lamp Guide - Vista catalog.