



PROFESSIONAL
OUTDOOR LIGHTING

Type:

Model:

Project:

SPECIFICATION SHEET

MODEL 2267-BSO Landscape Series • Brass & Copper • Path & Spread Lights

FIXTURE SPECIFICATIONS:

HOUSING:

Die-cast, brass.

STEM:

½" brass pipe with ½" NPT.

FINISH:

Olde Brass

LENS:

Clear, high-impact, polycarbonate lens.

LAMP TYPE:

Vista T3 LED lamp only, 2.5 watt standard.

ELECTRICAL:

Input voltage range 9–15V AC, regulated to achieve uniform illumination throughout the cable run of fixtures.

MOUNTING:

Bottom of stem threaded with ½" NPT. Fixture may be mounted into threaded hubs in junction boxes, ground stakes, or floor-mounting canopies. Please see fixture ordering information for mounting selection.

FASTENERS:

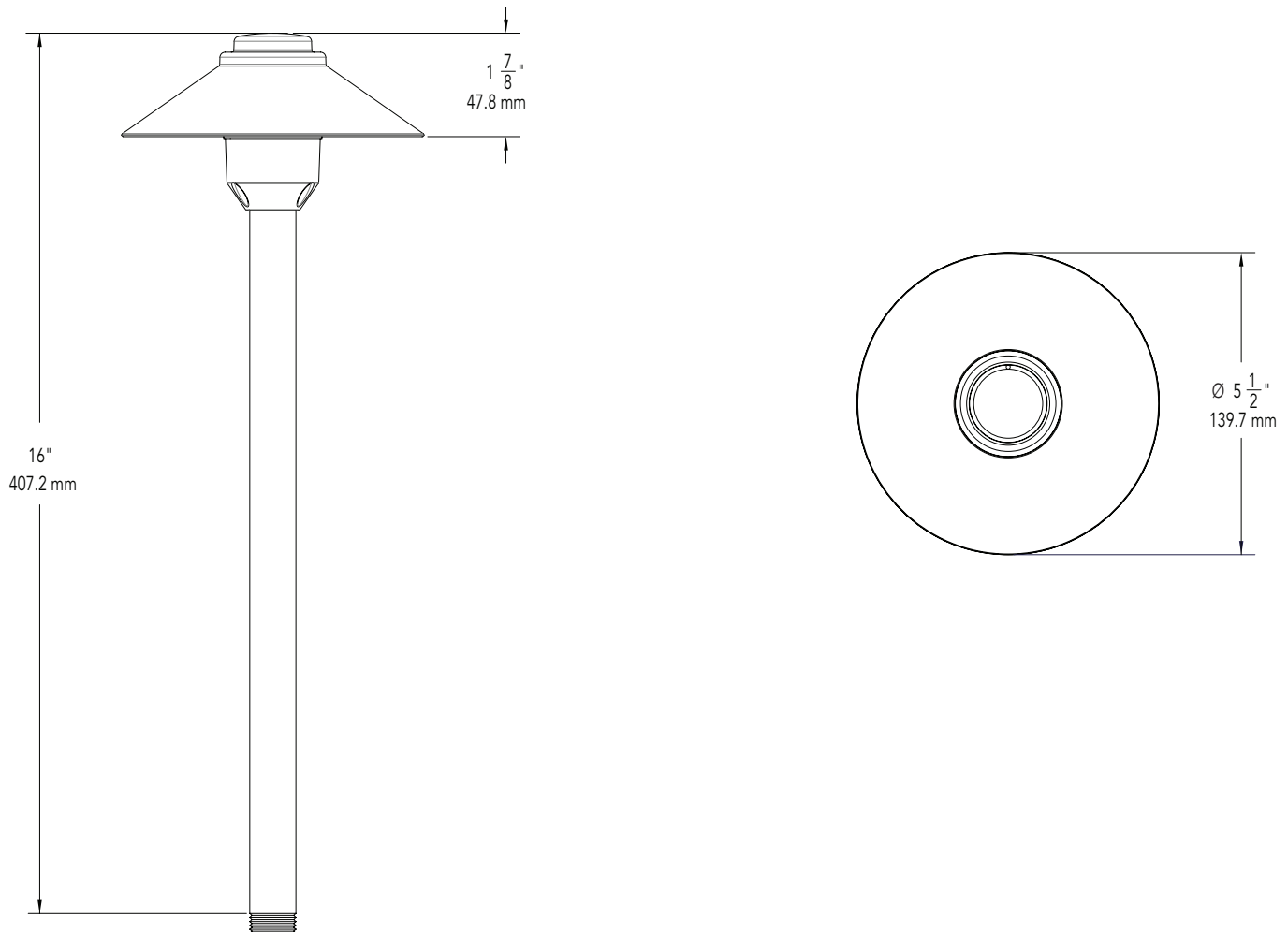
All fasteners are stainless steel.

WIRING:

Prewired with a three-foot pigtail of 18-2 direct-burial cable and underground connectors for a secure connection to supply cable.

Designed and Assembled **IN THE U.S.A.**

DIMENSIONS:



Vista Professional Outdoor Lighting reserves the right to modify the design and/or construction of the fixture shown without further notification.



SPECIFICATION SHEET

MODEL 2267-BSO Landscape Series • Brass & Copper • Path & Spread Lights

FIXTURE ORDERING INFORMATION

TO ORDER FIXTURE: Select appropriate choice from each column as in the following example.

EXAMPLE: PR-2267-BSO-2.5-W-T3

MOUNTING	MODEL	FINISH	WATTAGE	COLOR TEMP	LAMP
PR - ABS ground stake	2267	BSO - Olde Brass	2.5	W - Warm	T3

Fixtures shipped with standard lamp, unless otherwise specified.
Fixtures shipped with specified mounting hardware.