



## INSTALLATION INSTRUCTIONS

**USE ONLY ON 9 - 15 VOLT CIRCUITS. CAUTION: DO NOT UNNECESSARILY OVER-VOLTAGE LED LAMPS. FOR OPTIMAL PERFORMANCE AND MAXIMUM EFFICIENCY ALWAYS OPERATE LED LAMPS AS CLOSE TO 12 VOLTS AS POSSIBLE. NEVER EXCEED MAXIMUM OPERATING VOLTAGE, FAILURE TO DO SO WILL VOID THE WARRANTY AND MAY RESULT IN SERIOUS DAMAGE TO LAMP AND LUMINAIRES. DIMMING FUNCTION MAY NOT BE COMPATIBLE WITH ALL DIMMERS, PLEASE CONSULT FACTORY TECHNICAL DEPARTMENT FOR UP-TO-DATE COMPATIBLE DIMMER INFORMATION.**

**FOR USE ONLY WITH LOW VOLTAGE LANDSCAPE POWER UNITS THAT DO NOT EXCEED 25 AMPS, 15 VOLT MAXIMUM.**

**WARNING:** Luminaires must be installed in accordance with the National Electrical Code (NEC) and local codes. Failure to do so will void the warranty and may result in serious injury and/or damage to the luminaire.

**SAFETY WARNING:** Luminaire can become very hot depending on lamp wattage used. Lens and metal around lamp can become hot enough to blister hands. Particular care should be taken not to locate luminaires where small children can reach them if high wattage lamps are used.

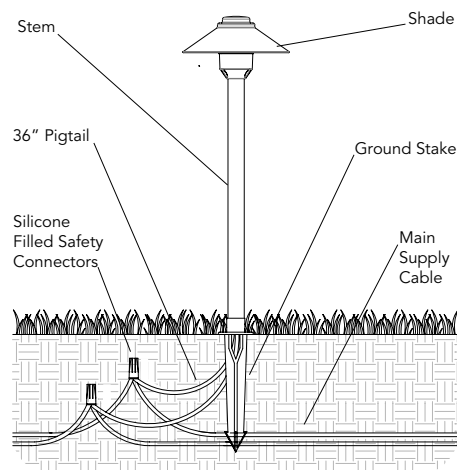
**LUMINAIRES ARE NOT TO BE INSTALLED WITHIN 10 FT (3.05M) OF A POOL OR SPA. SECONDARY CABLE IS NOT TO BE BURIED MORE THAN 6". WHEN USING MULTIPLE LUMINAIRES, LOAD IS NOT TO EXCEED TOTAL WATTS OF TRANSFORMER RATING. DO NOT USE EXTENSION CORDS ON POWER UNITS.**

**NOTE:** Always use UL recognized wire connectors for connections.

**NOTE:** Save these instructions for future reference; leave with property owner/manager.

### LUMINAIRE MOUNTING:

1. To prevent electrical shock, disconnect transformer from electrical supply before installation or service.
  2. Run wire pigtail from luminaire through mounting hole in top of ground stake.
  3. Thread luminaire into threaded hole in ground stake.
  4. Place stake in desired position and insert into ground until flange of stake is flush to grade.
  5. Strip two leads from luminaire pigtail. Using two silicone filled safety connectors (provided), connect leads from luminaire to main supply cable leads.
- NOTE: Luminaires are supplied with 36" of 18-2 cable pigtail for secure connection to main supply cable. Wire is to be protected by routing in close proximity to luminaire. Wiring should be buried a maximum depth of 6 inches (15.2 cm) in order to connect to main supply cable.
6. Provide power to luminaire and check for proper operation.



### IMPORTANT SAFETY INSTRUCTIONS - THE LIGHTED LAMP IS HOT!

#### WARNING - TO REDUCE THE RISK OF FIRE, OR INJURY TO PERSONS:

1. Turn off/unplug and allow to cool before replacing lamp.
2. Lamps get hot! Contact only switch/plug when turning on.

3. Do not touch hot lens, guard or enclosure.

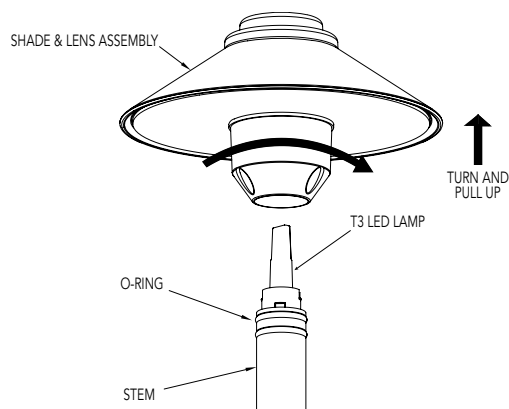
4. Keep lamp away from material that may burn.

6. Do not operate luminaire fitting with a missing or damaged cover.

SAVE THESE INSTRUCTIONS (Leave with property owner/manager)

### LAMP INSTALLATION/REPLACEMENT:

1. To prevent electrical shock, disconnect transformer from electrical supply before service.
2. Turn and pull shade and lens assembly from stem to expose T3 LED lamp.
3. Replace lamp with correct wattage & type marked on fixture label.
4. Reinstall shade & lens assembly.



Vista Professional Outdoor Lighting reserves the right to modify the design and/or construction of the fixture shown without further notification.